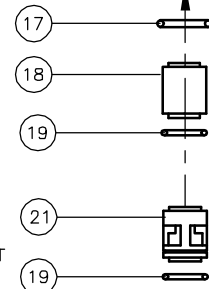
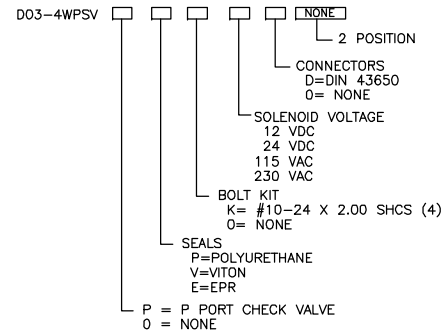
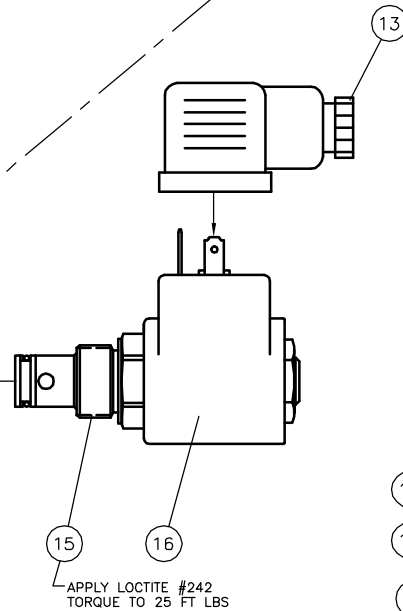
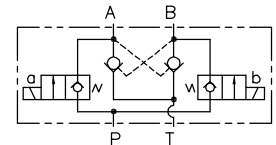
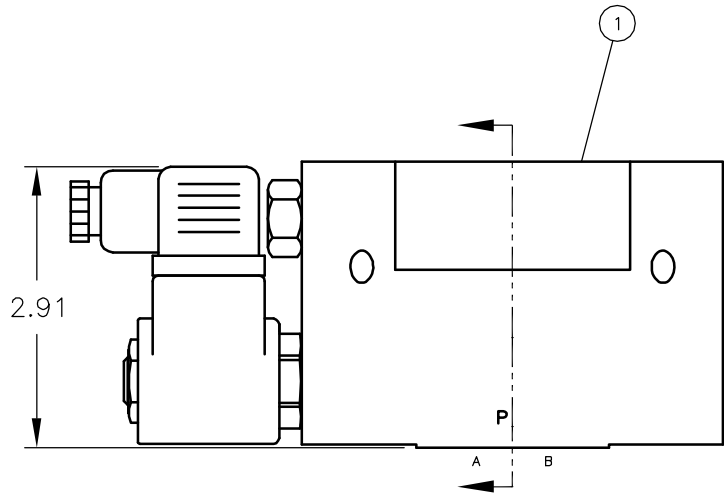
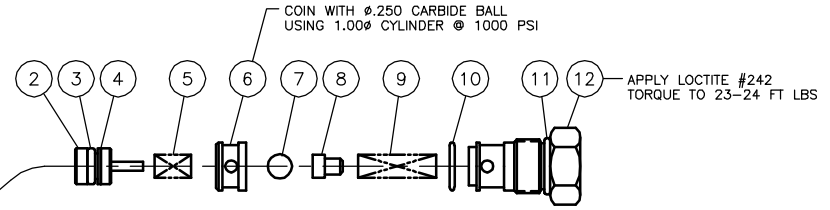
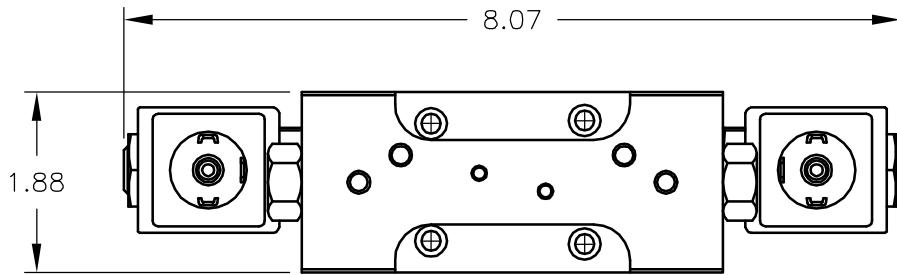
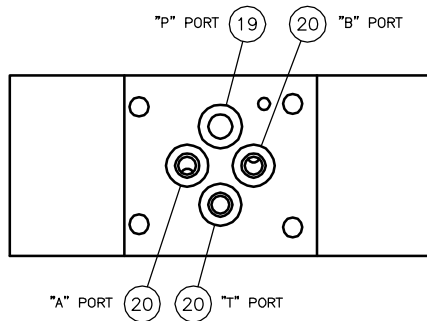


REV	DESCRIPTION	BY	DATE
A	ADDED ITEM 5; COIN NOTE; TORQUE NOTES	WNI	10/27/98
B	NEW SPRING FOLLOWER	WNI	10/28/98
C	LC022C-7-MW WAS LC0302C-9-MW; ø.250; CHROME BALL WAS #7/32	WNI	2/10/00
D	ITEM 5 LC042C-1-MW WAS LC026C01MW; ITEM 9 LC032C-9-MW WAS LC022C-7-MW	WNI	7/17/01
E	ADDED COMBINED CHART	WNI	9/25/01
F	DWG NO WAS XA-D03P	WNI	3/13/03
G	ITEM 21 WAS ICS-B-06-V03; ITEM 19 WAS 12.0415(MATL)	WNI	2/13/09
H	ADDED SHT 2	WNI	7/22/10
J	ADDED "2 POSITION"; NEW ISO SYMBOL	WNI	3/17/11
K	DEL ITEM 14; ITEM 3, 17 WAS (MATL) NOW B7	WNI	1/11/12



OPTIONAL "P" PORT CHECK VALVE INSERT



VOLTAGE	SOL P/N ITEM 16	SEAL MATL	O-RING SEAL CODE
12 VDC	12066	EPR	E9
		VITON	V9
		POLYURETHANE	P9
24 VDC	11403	EPR	E9
		VITON	V9
		POLYURETHANE	P9
115 VAC	11404	EPR	E9
		VITON	V9
		POLYURETHANE	P9
230 VAC	11405	EPR	E9
		VITON	V9
		POLYURETHANE	P9

22	REF 10697	CHECK VALVE, -04
21	3 SO-01(MATL)	O-RING
20	1 8.5x1.5(MATL)	O-RING
19	1 10958 V03-5003	INSERT
18	1 SO-013B7	O-RING
17	2 (SEE CHART)	SOLENOID
16	2 11398 M03-1018	2-W POPPET VALVE
15	2	
14		
13	REF 10311	CONNECTOR, DIN
12	2 10379 V03-5010	SPRING/POPPET GUIDE
11	2 SO-906(MATL)	O-RING
10	2 SO-012(MATL)	O-RING
9	2 10661	SPRING, ø.24 OD, .81 FL
8	2 10332 V03-5013	SPRING FOLLOWER
7	2 10073	CHROME BALL, ø.250
6	2 10633 V03-5012	POPPET SEAT
5	2 12037	SPRING, ø.24 OD, .38 FL
4	2 12036	BU RING, SPLIT, -010 PTFE
3	2 SO-010B7	O-RING
2	2 10531 V03-5011	PISTON
1	1 10256 V03-5004	BODY

ITEM	QTY	PART NUMBER	DESCRIPTION
INTERFACE DEVICES, INC. 230 DEPOT ROAD MILFORD, CT 06460			
SCALE:	FULL	TITLE:	ASSEMBLY, 6K SOL POPPET 4-W VALVE
DWG BY:	WNI	REF:	D03-4WPSV
DATE:	10/19/98	DWG NO:	V03-1002
SHT:	1 OF 2	REV:	K