



NOW...

Affordable 3,000 psi pressure for small diameter gundrilling using your existing low pressure coolant supply system!

Package Benefits

- Increase feed rates up to 50%
- Reduced drill breakage
- Simple installation:
Installs in minutes in the coolant line between your existing coolant system and drill head (8' long high pressure hose and fittings included with rotary union, when ordered)

Rotary Union Specifications

- Deublin model number: 1108-093-568
- Maximum Speed: 10,000 rpm
- Maximum Pressure: 3,000 psi (204 bar)

Intensifier Features:

- Near 100% efficiency: Zero internal leakage, double-acting design
- Includes 0 to 6,000 psi heavy duty output gauge
- Compact: "shoe box" size: No additional floor space required
- Noiseless operation
- Premium materials of construction:
Aircraft grade aluminum housings
Hardcoated and honed cylinders
Hard chromed piston rod
Heat-treated and lapped check valves
Aerospace dynamic seals and PTFE bearings

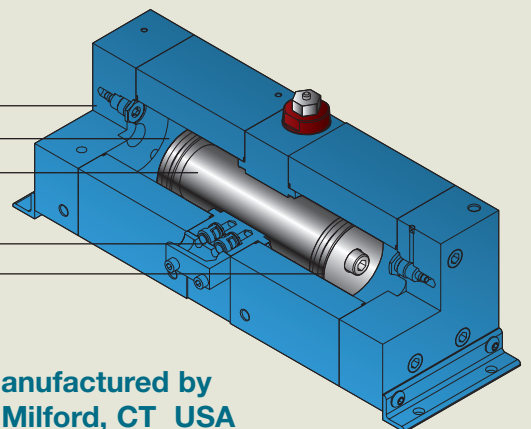
- Pressure intensification ratio: 3:1
- Maximum operating pressure: 3,000 psi (204 bar)
- Maximum gundrill diameter at 3,000 psi: 0.125" (3.2 mm)

Existing Coolant Supply System Requirements

- Operating pressure: 500 to 1,100 psi (for 1,500 to 3,000 psi booster output pressure)
- Flow: 0.3 to 6.0 gpm (for 0.1 to 2.0 gpm booster flow)
- Filtration: 10 micron maximum: The optional 6 micron "last chance" line filter is highly recommended (see over for installation and ordering instructions)

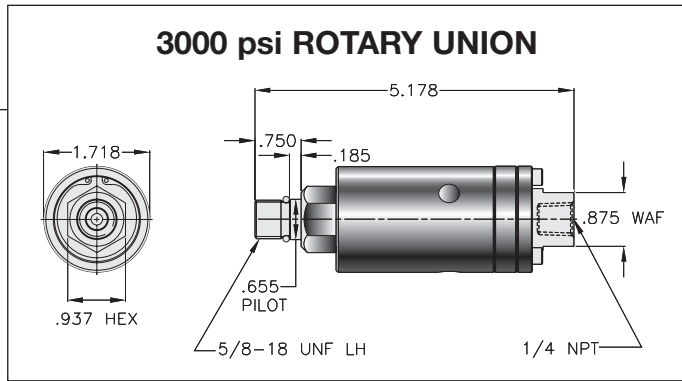
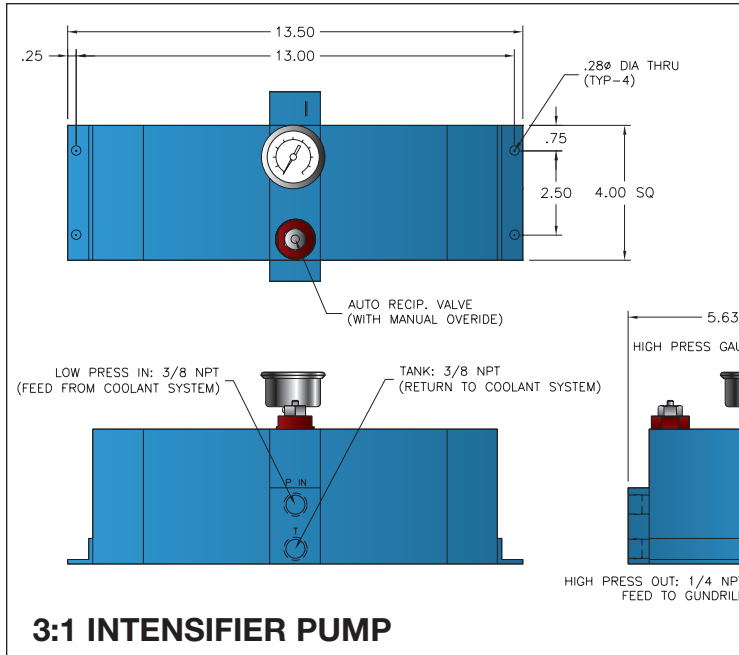
3:1 Coolant Intensifier Specifications

**Intensifier designed and manufactured by
INTERFACE DEVICES, INC. Milford, CT USA**



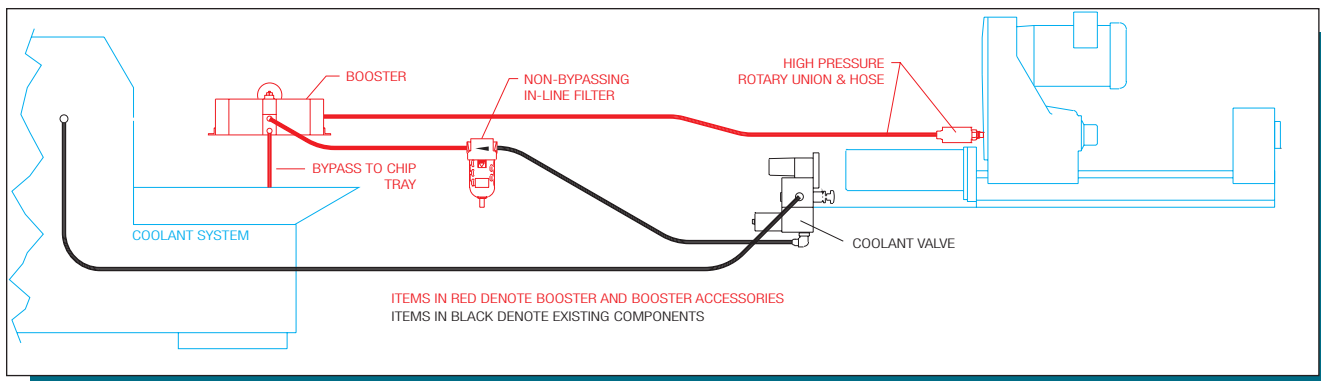
**MODEL:
HFG31**

DIMENSIONAL INFORMATION



3:1 INTENSIFIER PUMP

TYPICAL INSTALLATION:



ORDERING INFORMATION

HFG31 - RU - H - F

BASIC BOOSTER ROTARY UNION* HIGH PRESSURE HOSE KIT* 6 MICRON INLINE FILTER*

DELIVERY: FROM STOCK *LEAVE BLANK FOR NONE

Represented by:





Interface Devices, Inc.
 230 Depot Road • Milford, CT 06460
 Tel: 203-878-4648 • Fax: 203-882-0885
 Toll Free: 1-800-539-0193
www.interfacedevices.com
 email: info@interfacedevices.com