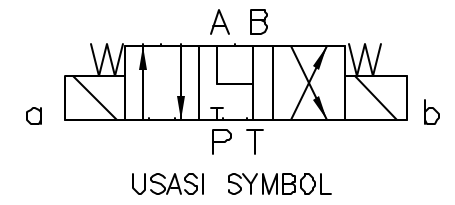
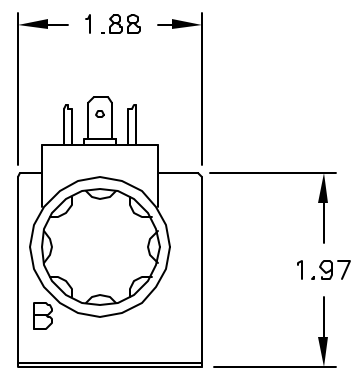
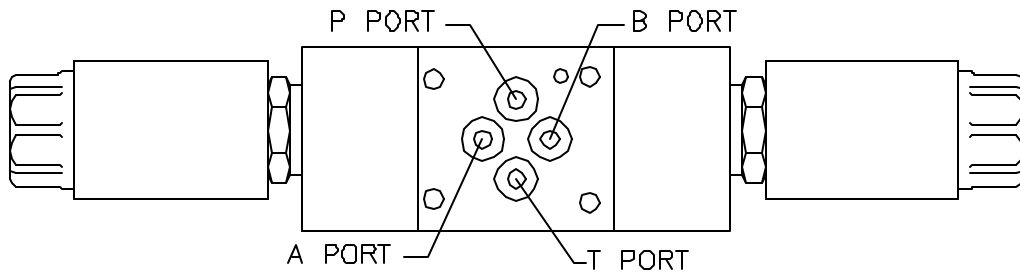
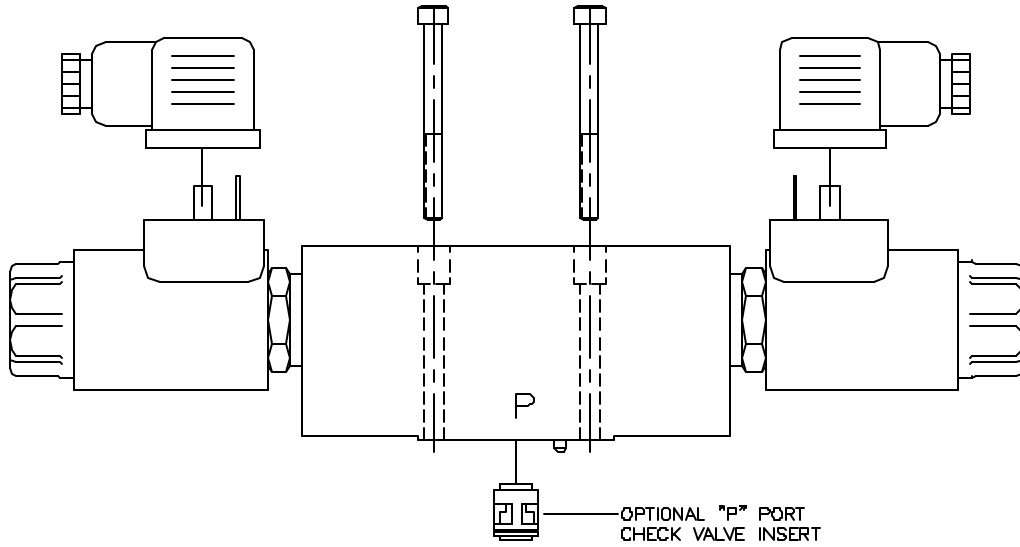
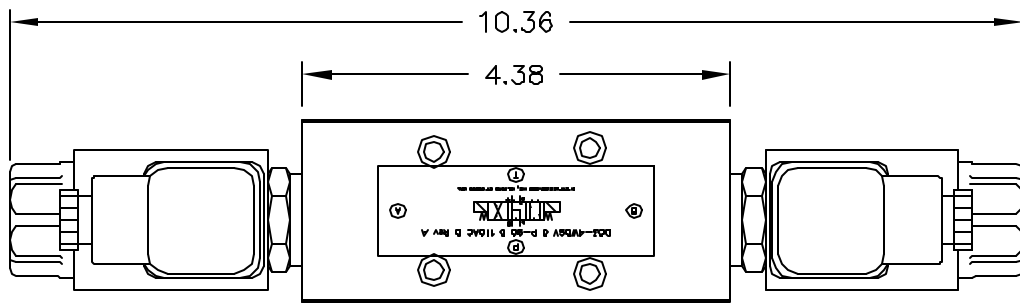


REV	DESCRIPTION	DATE
-----	-------------	------



		INTERFACE DEVICES, INC. 230 DEPOT ROAD MILFORD, CT 06460	
SCALE: HALF	TITLE: GENERAL ARRANGEMENT, 6K SOL POPPET 4-WAY VALVE		
DWN BY: WNI	REF:		
DATE: 2/17/98	DWG NO: V03-0001		REV: _
SHT: 1 OF: 1			

Flow vs. Pressure Drop
IDI Model DO3 4WOSV (with P Port Check Valve)
Shell Tellus 32 @ 70 Deg F

