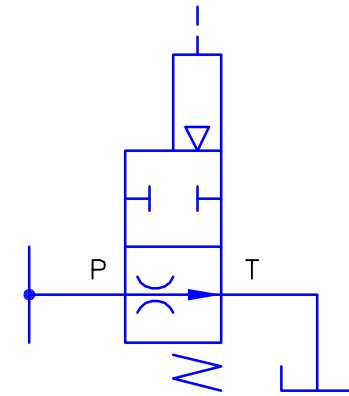
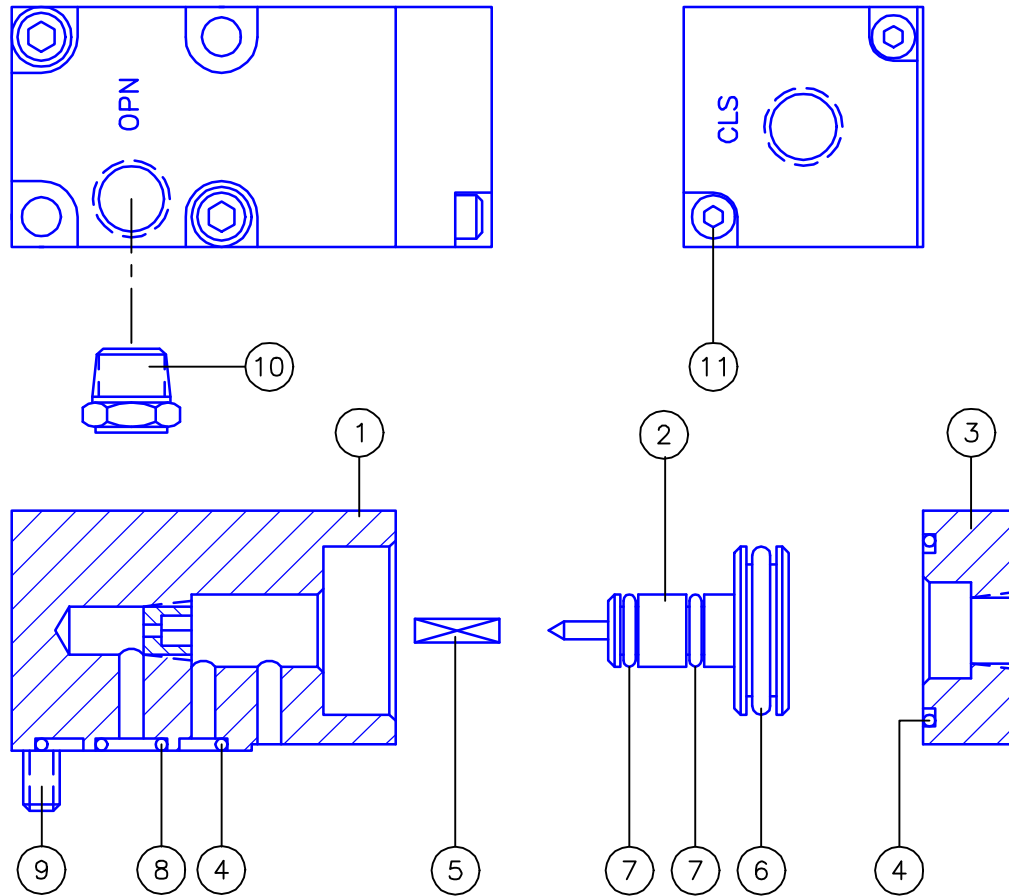


REV	DESCRIPTION	DATE
A	ITEM 5 WAS FINGER SPRING #F0864-006 ADDED NEW IDI PART NUMBERS	5/30/01



11	2	6-32 x .50	SCREW, SOC HD CAP
10	1	10264	BREATHER, 1/8 NPT
9	2	10-24 x .88	SCREW, SOC HD CAP
8	1	SO-010D7	O-RING
7	2	SO-010B7	O-RING
6	1	SO-115B7	O-RING
5	2	LC-024A-4	COMPRESSION SPRING
4	2	SO-020B7	O-RING
3	1	10284	CAP
2	1	10538	PISTON/NEEDLE
1	1	10113	HOUSING & SEAT
ITEM	QTY	PART NUMBER	DESCRIPTION



INTERFACE DEVICES, INC.
230 DEPOT ROAD
MILFORD, CT 06460

DESCRIPTION: A SUBPLATE MOUNTED, NORMALLY OPEN,
ZERO-LEAKAGE, 10,000 PSI HYDRAULIC DUMP
VALVE-AIR PILOT OPERATED (65 PSI MIN).

ASSEMBLY PART NUMBER 10029

SCALE: FULL	TITLE: DUMP VALVE ASSY (NORMALLY OPEN)
DWN BY: TWH	
DATE: 5/12/93	REF:
SHT: 1 OF: 1	DWG NO: EP-451
	REV: A