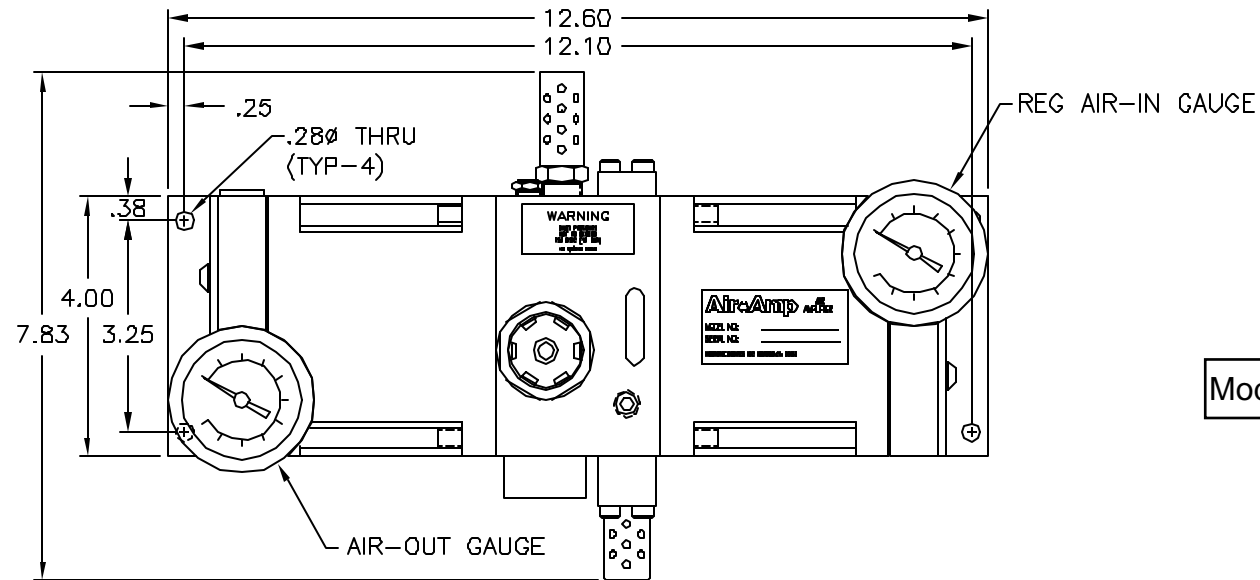
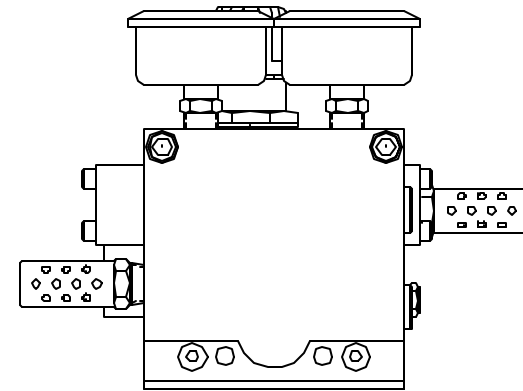
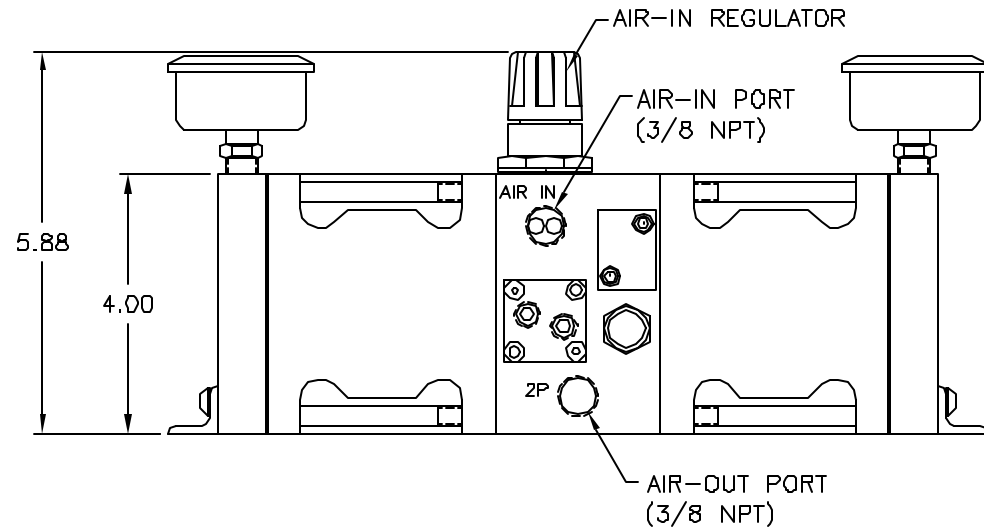


REV	DESCRIPTION	DATE
A	DWG NG WAS 048711031	12/11/02



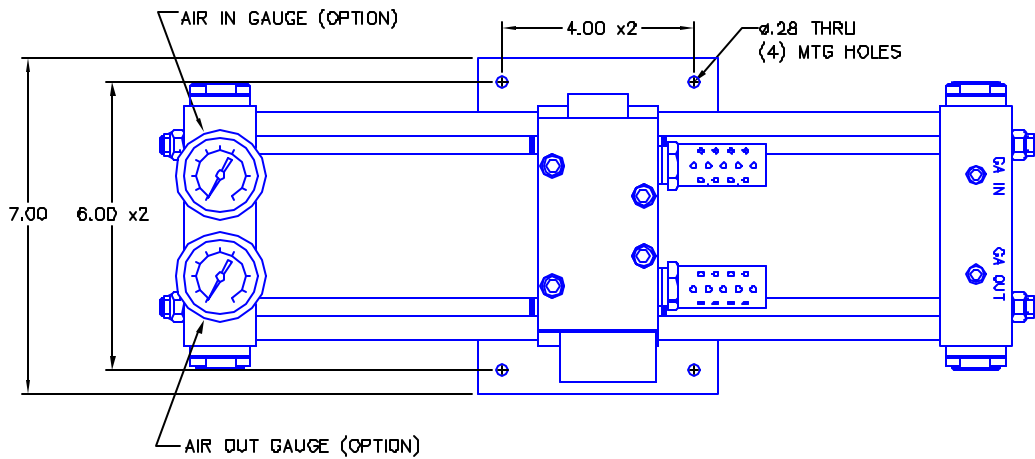
Model AA-54



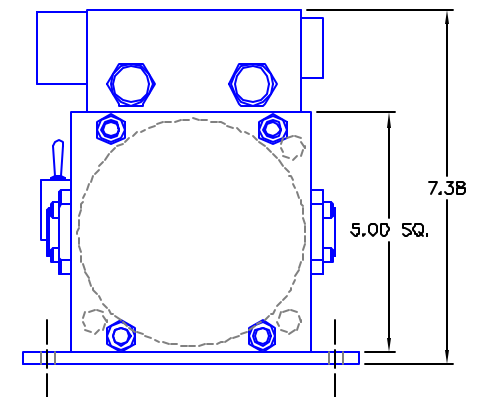
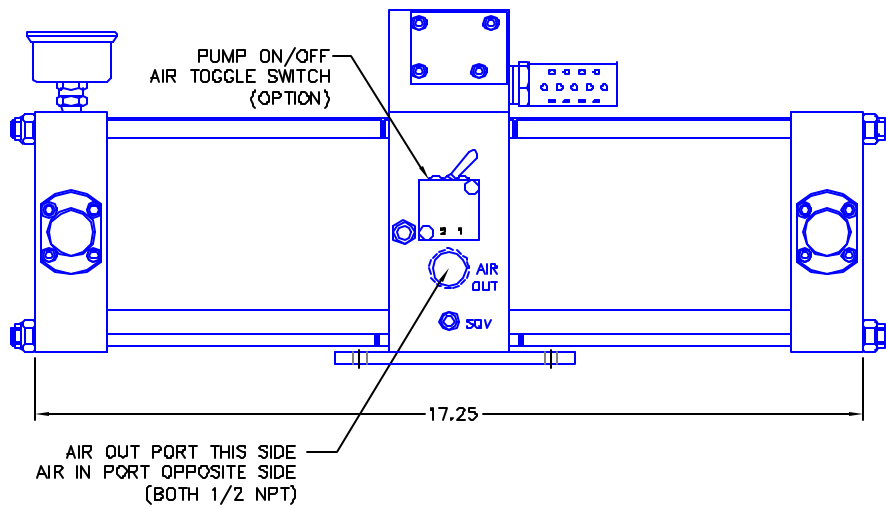
0 1 2 3 4
INCHES ON ORIGINAL DWG

		INTERFACE DEVICES, INC. 230 DEPOT ROAD MILFORD, CT 06460
SCALE: HALF	TITLE: GENERAL ARRANGEMENT, 2:1 AIR AMPLIFIER	
DWG BY: WNI	DATE: 11/05/97 REF:	
SHT: 1 OF 1	DWG NO: P30-0001	REV: A

Z:\PROGRAMS\ACAD\DWG\AFRAME\F30-0001.DWG Plot Date: Jun 23, 2003 3:10PM



Model AA-160



		INTERFACE DEVICES, INC. 230 DEPOT ROAD MILFORD, CT 06460	
SCALE: 1/4	TITLE: GENERAL ARRANGEMENT, AA-160 2:1 AIR AMPLIFIER		
DWN BY: TWH	DATE: 11/15/04 REF:		
SHT: 1 OF: 1	DWG NO: P30-0002		REV: —