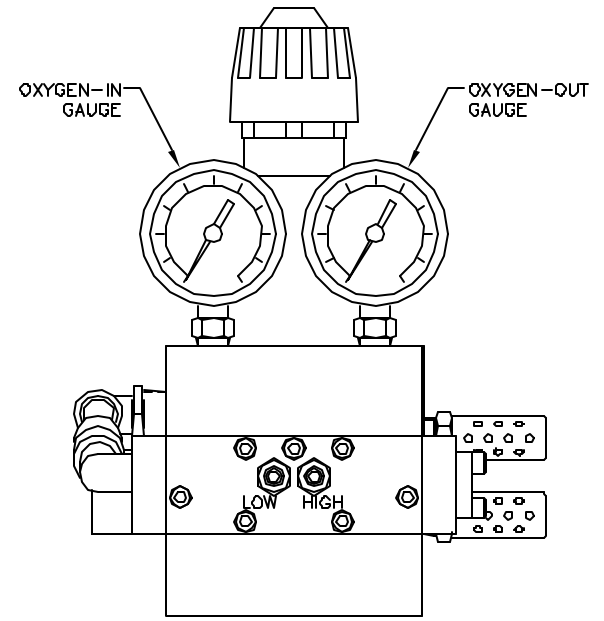
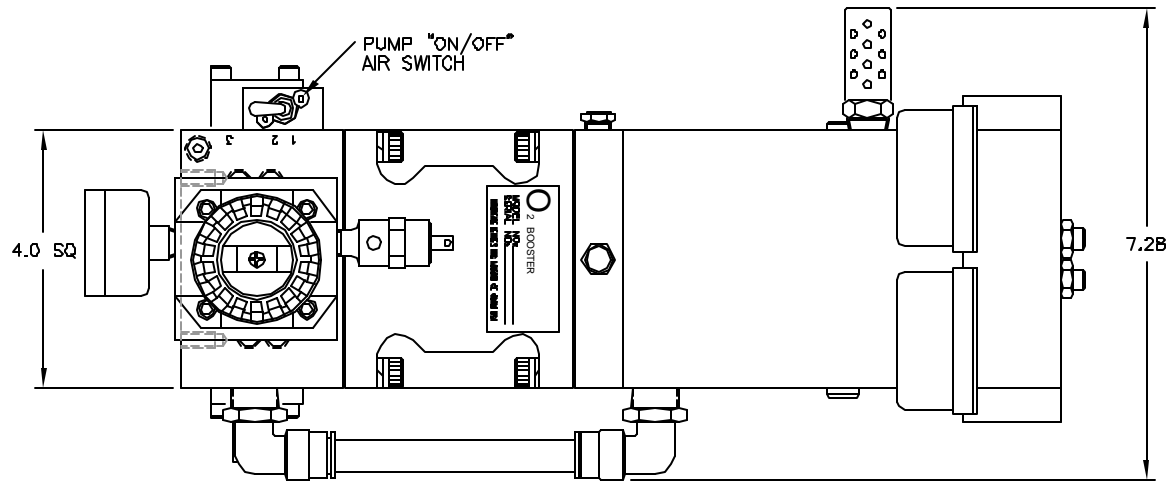
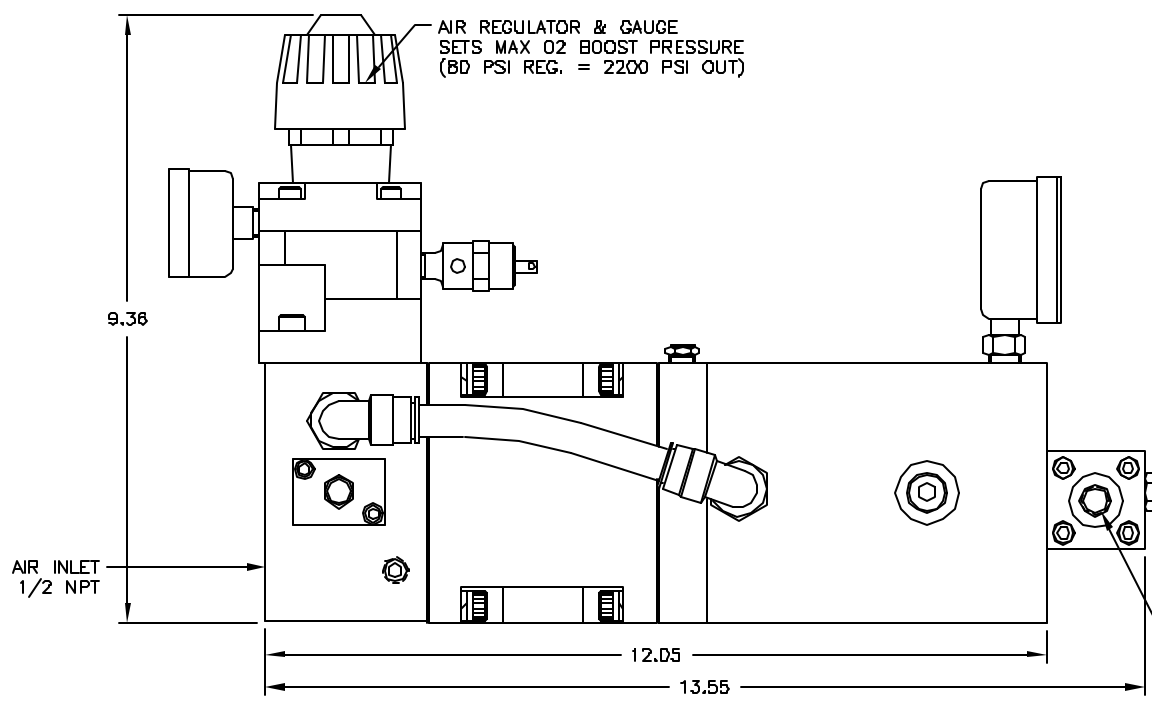


REV	DESCRIPTION	DATE
A	ADDED UNBALANCED AIR CAP, RELOCATED "PUMP ON/OFF" SWITCH	8/28/98
B	MOVED GAUGES TO PUMP BODY; ADDED NEW STYLE "PUMP ON/OFF" SWITCH	7/23/02
C	ADDED AIR IN RELIEF VALVE	8/10/03



0 1 2 3 4  
INCHES ON ORIGINAL DWG



NOTE: 3 MICRON FILTER LOCATED UNDER EACH OXYGEN PORT CAP

CLUT-IN/OUT SWITCH ADJUSTMENT  
NEARSIDE: OXYGEN IN PORT  
FAR SIDE: OXYGEN OUT PORT  
BOTH: -4 SAE ST THD O-RING

		INTERFACE DEVICES, INC. 230 DEPOT ROAD MILFORD, CT 06460
SCALE: HALF	TITLE: GENERAL ARRANGEMENT, OXYGEN BOOSTER	
DWN BY: WNI	REF: UNBALANCED SPOOL	
DATE: 11/10/07	DWG NO: GA9711101	REV: C