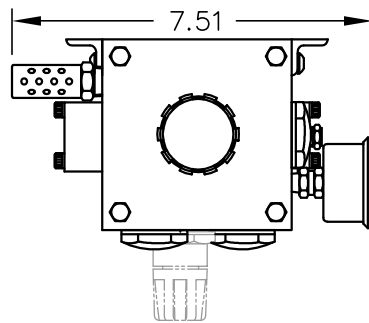
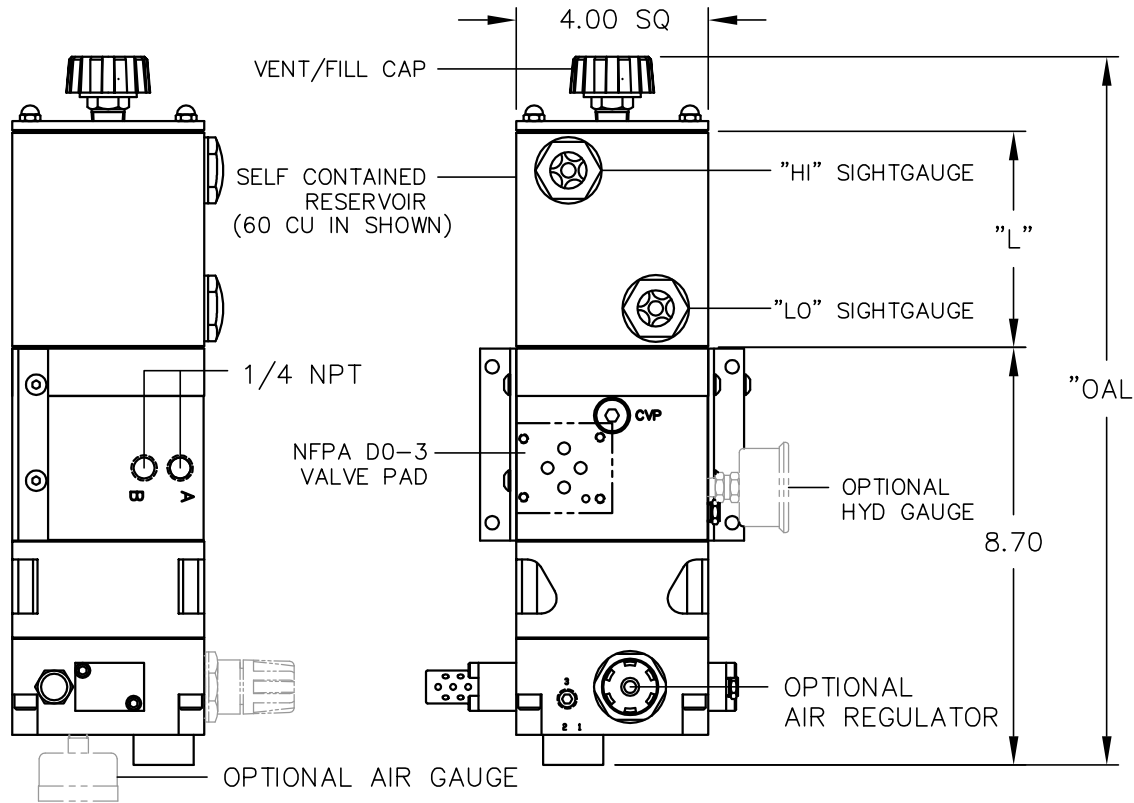


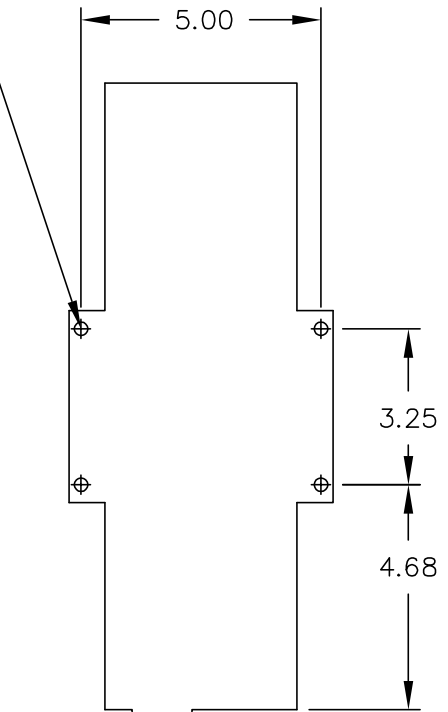
| VOLUME (CU IN) | OAL   | L     |
|----------------|-------|-------|
| 40             | 13.25 | 3.00  |
| 60             | 14.75 | 4.50  |
| 80             | 16.00 | 5.75  |
| 100            | 17.50 | 7.25  |
| 120            | 19.00 | 8.75  |
| 160            | 21.75 | 11.50 |



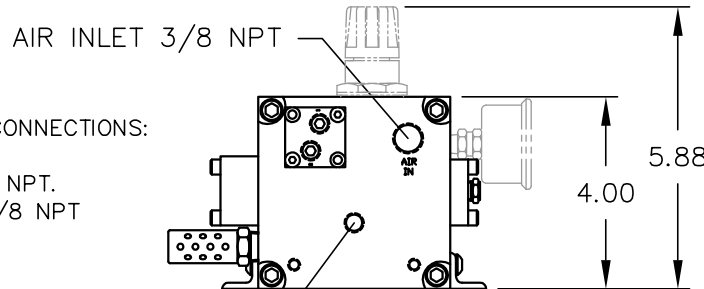
| REV | DESCRIPTION                                       | BY  | DATE     |
|-----|---|-----|----------|
| A   | ADDED BOTTOM VIEW; IDENTIFIED OPTIONAL COMPONENTS | WNI | 11/18/04 |
| B   | IDENTIFIED OPTIONAL AIR REGULATOR                 | WNI | 1/20/05  |
| C   | PICTURE CHANGE: SIGHT GAUGE ORIENTATION           | WNI | 1/31/05  |



Ø0.28 FOR 1/4 MTG SCR (TYP-4)



MOUNTING DIMENSIONS



PNEUMATIC & HYDRAULIC CONNECTIONS:  
 "AIR IN" PORTS: 3/8 NPT  
 "A" & "B" CYL PORTS: 1/4 NPT.  
 AIR & HYD "GA" PORTS: 1/8 NPT

AIR GAUGE PORT 1/8 NPT

|               |   |  |        |
|---------------|---|--|--------|
|               |   | INTERFACE DEVICES, INC.<br>230 DEPOT ROAD<br>MILFORD, CT 06460 |        |
| SCALE: 1/4    | TITLE: GENERAL ARRANGEMENT, TASQ SERIES PUMP SELF CONTAINED RESERVOIR |  |        |
| DWN BY: WNI   | REF: Integral Air Regulator   |  |        |
| DATE: 8/11/04 | DWG NO: P09-0006  |  | REV: C |
| SHT:1 OF:1    |   |  |        |