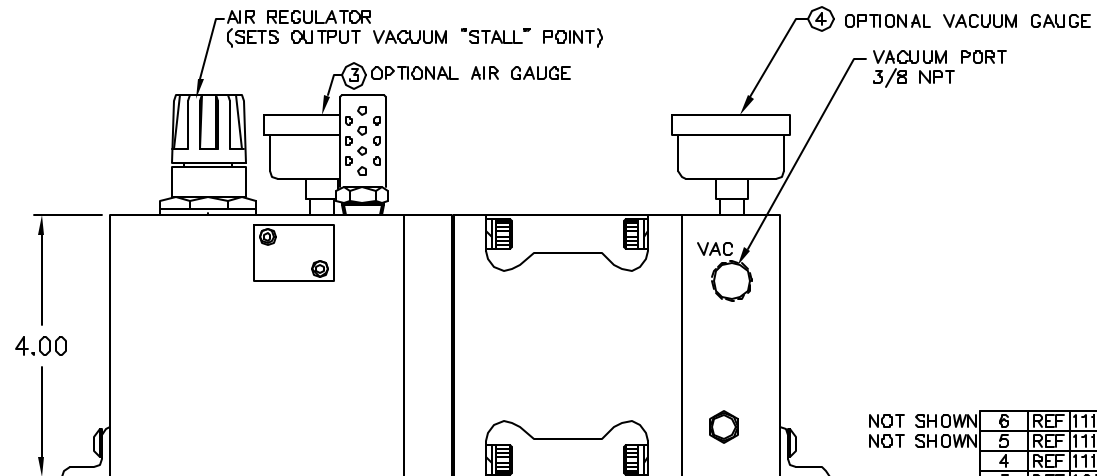
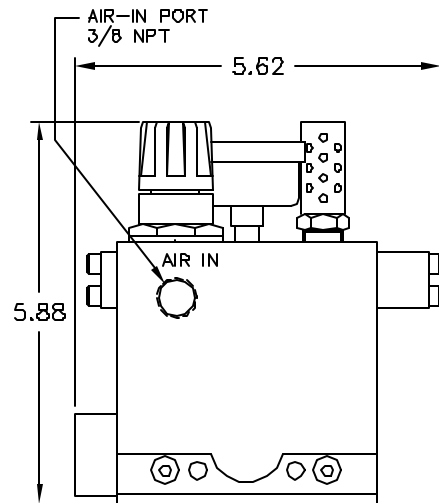
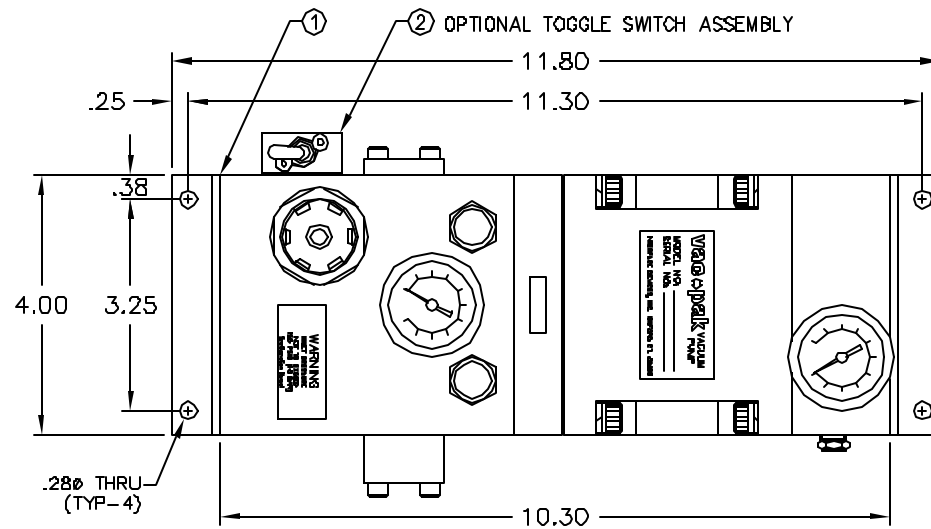


File Name: Z:\PROGRAMS\ACADWORKS\VACPAK\GA-VACPAK-ADWG

REV	DESCRIPTION	DATE
A	ADDED "OPTIONS" PART LIST	10/21/02



NOT SHOWN  
NOT SHOWN

6	REF 11193	VACUUM FILTER	
5	REF 11193	AIR IN FILTER	
4	REF 11192	VACUUM GAUGE	
3	REF 10342	AIR GAUGE	
2	REF 10449	TOGGLE SWITCH ASSY	
1	REF 11191	HVP-27 VACUUM PUMP	
ITEM	QTY	PART NUMBER	DESCRIPTION

INTERFACE DEVICES, INC.  
230 DEPOT ROAD  
MILFORD, CT 06460

0 1 2 3 4  
INCHES ON ORIGINAL DWG

SCALE: HALF	TITLE: GENERAL ARRANGEMENT, SINGLE ACTING VACUUM PUMP
DWG BY: WNI	
DATE: 11/04/97	REF:
SHT: 1 OF 1	DWG NO: GA9711041
	REV: A