



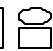
NOTES

- 1 RECOMMENDED SPARES ITEM: SEAL KIT
- 2 RECOMMENDED SPARES ITEM: OTHER
- 3 LIGHTLY APPLY ITEM 22 "GREASE" TO ALL SEALS AND MATING PARTS AT ASSEMBLY

REV	DESCRIPTION	DATE
A	PICTURE CHANGE SHT2 TOGGLE SW; ADDED NEW ID# PART NUMBERS; PICTURE CHANGE ITEM 8; ITEM 11 QTY WAS 2, P/N WAS SO-000CN7	7/7/00
B	ADDED 29 & 30; PICTURE CHANGE ITEM 6	10/23/02

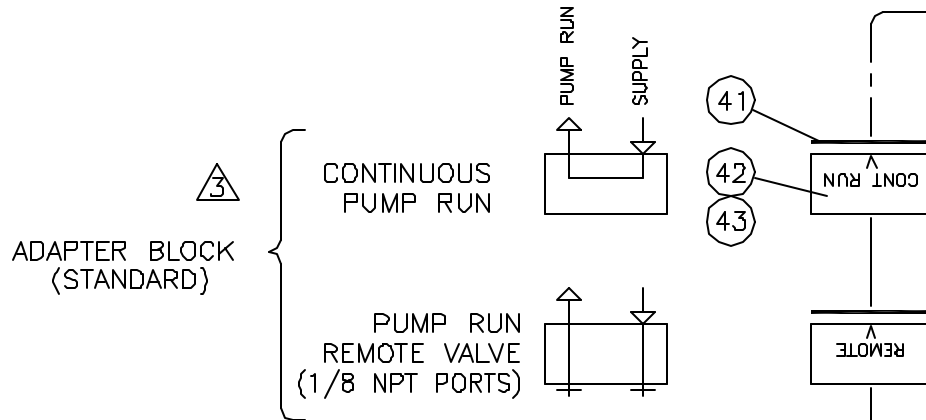
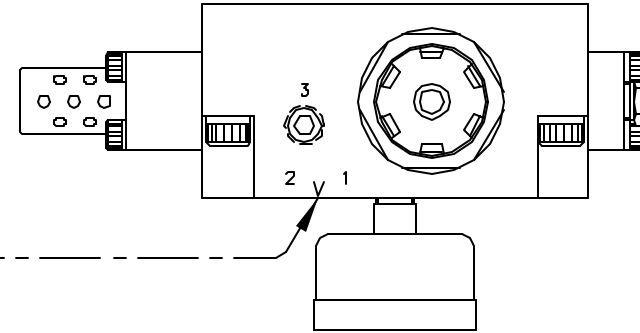
30	1	-012	TEFLON BACKUP RING
29	1	SO-D12 6866	O-RING
28	2	3/16 x .75	DOWEL PIN
27	5	SO-D11-B7	O-RING
26	REF	EP-3xx	RATIO PLATE ASSY
25	1	10111	BODY, AIR CYLINDER
24	2	10334	GASKET, AIR BODY
23	2	10-24 x 1	SCREW, SOC HD CAP
22	A/R	WATERPROOF	GREASE, NON-PETROLEUM
21	4	5/16-18 x 6.00	SCREW, SOC HD CAP
20	4	5/16 H COLLAR	LOCK WASHER
19	1	10016	AIR REG ASSY
18	1	10342	GALGE, AIR (0-160 PSI)
17	4	1/4-20 x 1.00	SCREW, SOC HD CAP
16	4	1/4 HI COLLAR	LOCK WASHER
15	1	10298	CAP, PILOT
14	1	10264	BREATHER, 1/8 NPT
13	1	10431	MUFFLER
12	1	SO-111CN7	O-RING
11	1	SO-006B7	O-RING

10	1	10004	HSG, AIR CAP
9	1	10305	CAP, SPDDL
8	1	10271	BUSHING, SHORT
7	1	10269	BUSHING, LONG
6	1	10659	SPDDL, AIR VALVE
5	6	10629	TEE SEAL
4	5	10273	CAGE
3	1	SO-019B7	O-RING
2	2	10-24 x .62	SCREW, SOC HD CAP
1	1	10017	AIR VLV ASSY, 2-WAY

ITEM	QTY	PART NUMBER	DESCRIPTION
			   INTERFACE DEVICES, INC. 230 DEPOT ROAD MILFORD, CT 06460
SCALE:	HALF	TITLE:	ASSEMBLY, H SERIES PUMP
DWN BY:	WNI	REF:	
DATE:	2/7/00	DWG NO.:	MHXXX/XX-RGPM
SHT:	1 OF 2	REV:	B

NOTES

- 1 PORT 3 IS COMMON TO PORT 2.
CONNECT PORT 3 TO REMOTE AIR PILOT OPERATED
HYDRAULIC RELEASE VALVE
- 2 MOUNTING SCREWS AND GASKET/O-RINGS ARE
FURNISHED FOR EACH OPTION
- 3 ROTATE ADAPTER BLOCK TO MATCH "V" STAMPED ON AIR CAP
FOR THE DESIRED FUNCTION



LOCAL MANUAL VALVE
(OPTION)

LOCAL SOLENOID VALVE
(OPTION)

VOLTAGE	ITEM 48 P/N
110 VAC	10727
24 VDC	10728

ITEM	QTY	PART NUMBER	DESCRIPTION
50			
49	2	M4 x 20	SCREW, FLAT HEAD
48	1	SEE CHART	SOL AIR VALVE
47	2	S0-006B7	O-RING
46	2	M4 x 20	SCREW, FLAT HEAD
45	1	10449	MAN TOGGLE SWITCH
44	1	10333	GASKET
43	2	M4 x 20	SCREW, FLAT HD
42	1	10100	BLOCK, ADAPTER
41	1	10333	GASKET

INTERFACE DEVICES, INC.
230 DEPOT ROAD
MILFORD, CT 06460

SCALE: HALF	TITLE: ASSEMBLY, H SERIES PUMP	
DWN BY: WNI	REF:	
DATE: 2/7/00	SHT: 2 OF: 2	
DWG NO: MHXXX/XX-RGPM	REV: B	