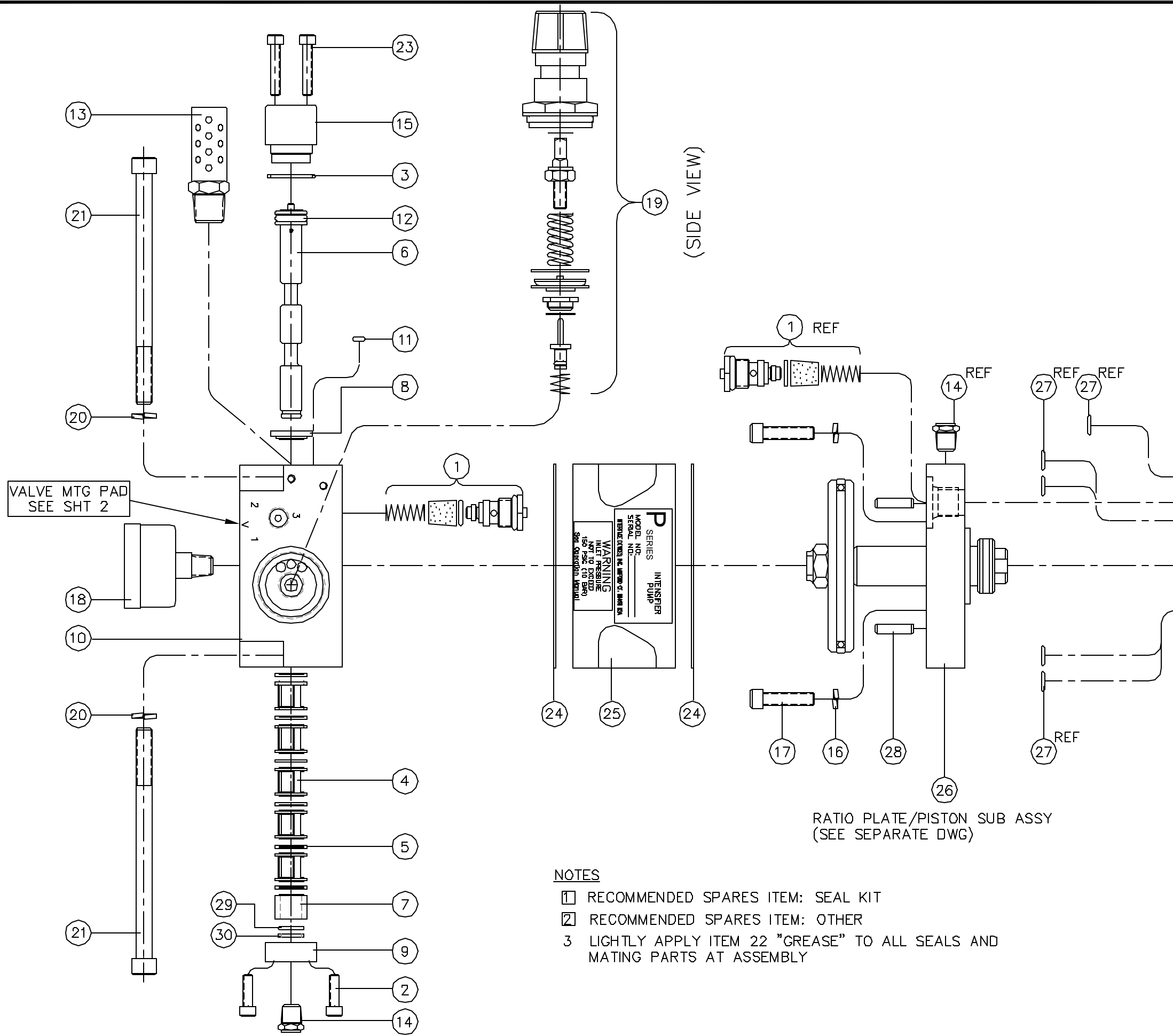
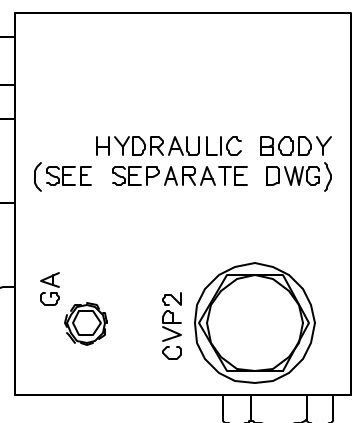


File Name: Z:\PROGRAMS\ACADDWG\XASSY\XA-PPUMP-UB-C.DWG



REV	DESCRIPTION	DATE
B	PICTURE CHANGE ITEM 6; ITM 11 QTY WAS 2, P/N WAS SO-006CN7; ADDED NEW P/N'S	11/21/00
C	ADDED 29 & 30; PICTURE CHANGE ITEM 6	10/23/02

30	1	-012	TEFLON BACKUP RING
29	1	SO-012 6865	O-RING
28	2	3/16 x .75	DOWEL PIN
27	5	SO-011-B7	O-RING
26	REF	EP-3xx	RATIO PLATE ASSY
25	1	10112	BODY, AIR CYLINDER
24	2	10334	GASKET, AIR BODY
23	2	10-24 x 1	SCREW, SOC HD CAP
22	A/R	WATERPROOF	GREASE, NON-PETROLEUM
21	4	5/16-18 x 4.50	SCREW, SOC HD CAP
20	4	5/16 HI COLLAR	LOCK WASHER
19	1	10016	AIR REG ASSY
18	1	10342	GAUGE, AIR (0-160 PSI)
17	4	1/4-20 x 1.00	SCREW, SOC HD CAP
16	4	1/4 HI COLLAR	LOCK WASHER
15	1	10298	CAP, PILOT
14	1	10264	BREATHER, 1/8 NPT
13	1	10431	MUFFLER
12	1	SO-111CN7	O-RING
11	1	SO-006B7	O-RING



10	1	10004	HSG, AIR CAP
9	1	10305	CAP, SPOOL
8	1	10271	BUSHING, SHORT
7	1	10269	BUSHING, LONG
6	1	10659	SPOOL, AIR VALVE
5	6	10629	TEE SEAL
4	5	10273	CAGE
3	1	SO-019B7	O-RING
2	2	10-24 x .62	SCREW, SOC HD CAP
1	1	10017	AIR VLV ASSY, 2-WAY

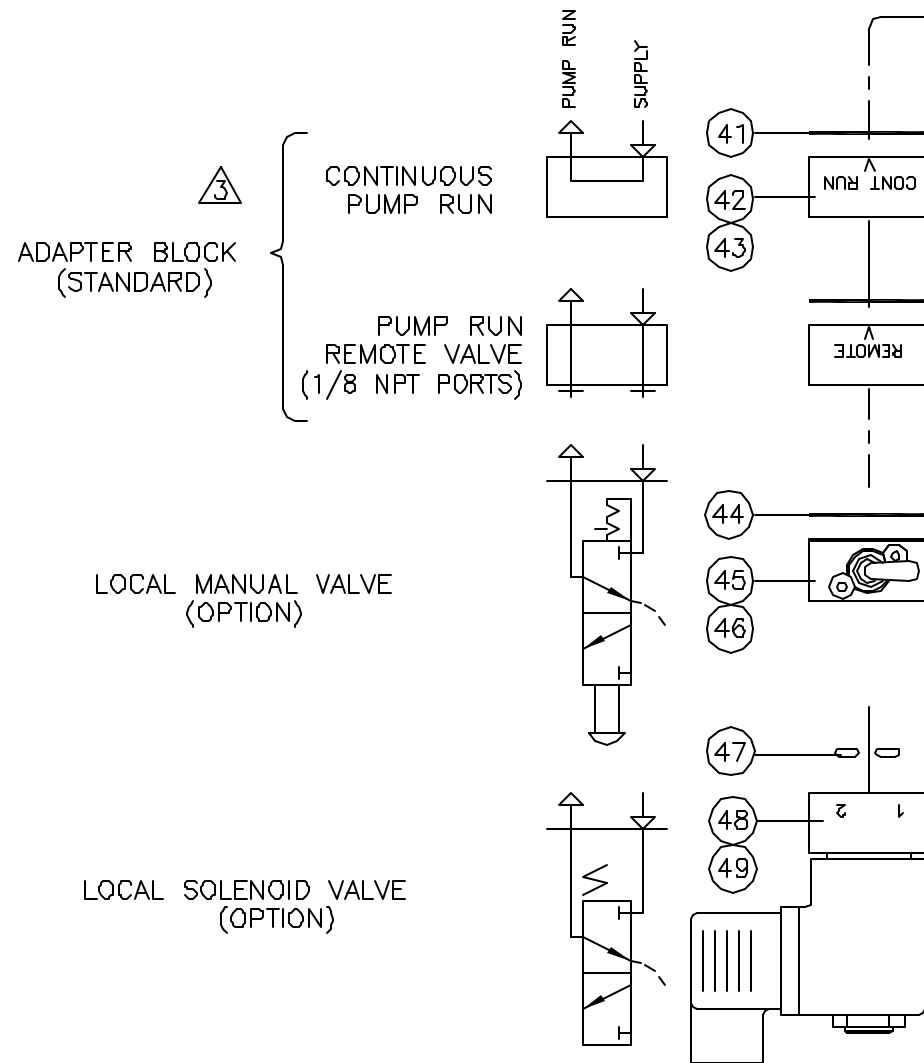
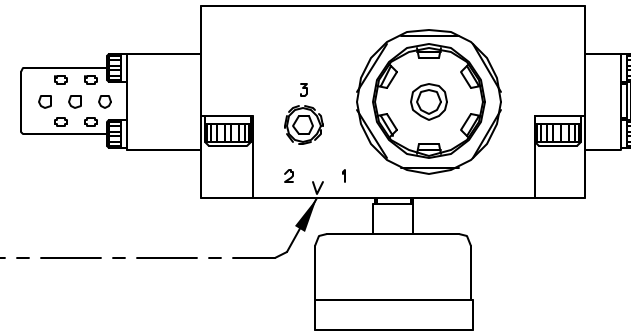
ITEM	QTY	PART NUMBER	DESCRIPTION
INTERFACE DEVICES, INC. 230 DEPOT ROAD MILFORD, CT 06460			

SCALE: HALF	TITLE: ASSEMBLY, P SERIES PUMP
OWN BY: WNI	
DATE: 5/26/98	REF:
SHT: 1 OF 2	DWG NO: MPXXX/XX-RGPM
	REV: C

- NOTES**
- 1 RECOMMENDED SPARES ITEM: SEAL KIT
 - 2 RECOMMENDED SPARES ITEM: OTHER
 - 3 LIGHTLY APPLY ITEM 22 "GREASE" TO ALL SEALS AND MATING PARTS AT ASSEMBLY

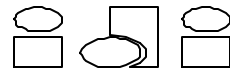
NOTES

- 1 PORT 3 IS COMMON TO PORT 2.
CONNECT PORT 3 TO REMOTE AIR PILOT OPERATED
HYDRAULIC RELEASE VALVE
- 2 MOUNTING SCREWS AND GASKET/O-RINGS ARE
FURNISHED FOR EACH OPTION
- 3 ROTATE ADAPTER BLOCK TO MATCH "V" STAMPED ON AIR CAP
FOR THE DESIRED FUNCTION



VOLTAGE	ITEM 38 P/N
110 VAC	10727
24 VDC	10728

ITEM	QTY	PART NUMBER	DESCRIPTION
50			
49	2	M4 x 20	SCREW, FLAT HEAD
48	1	SEE CHART	SOL AIR VALVE
47	2	S0-006B7	O-RING
46	2	M4 x 20	SCREW, FLAT HEAD
45	1	10449	MAN TOGGLE SWITCH
44	1	10333	GASKET
43	2	M4 X 20	SCREW, FLAT HD
42	1	10100	BLOCK, ADAPTER
41	1	10333	GASKET


 INTERFACE DEVICES, INC.
 230 DEPOT ROAD
 MILFORD, CT 06460

SCALE: HALF	TITLE: ASSEMBLY, P SERIES PUMP	
DWN BY: WNI	REF:	
DATE: 5/26/98	REF:	
SHT: 2 OF: 2	DWG NO: MPXXX/XX-RGPM	REV: C

File Name: Z:\PROGRAMS\ACADDWG\XASSY\XA-PPUMP-UB-C.DWG