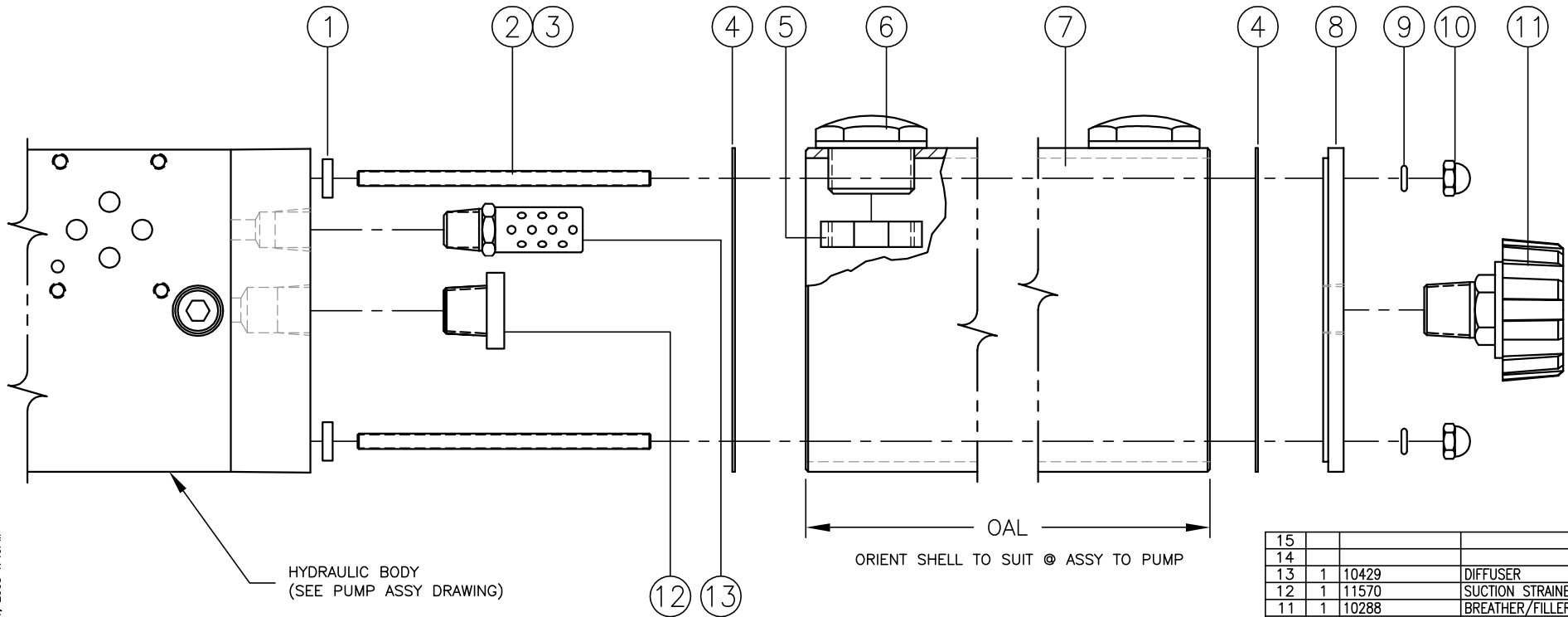


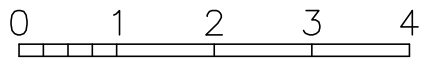
REV	DESCRIPTION	BY	DATE
A	PICTURE CHANGE; ITEM 12 WAS P/N 11258	WNI	1/31/05



HYDRAULIC BODY
(SEE PUMP ASSY DRAWING)

OAL
ORIENT SHELL TO SUIT @ ASSY TO PUMP

ASSEMBLY PART NO	VOLUME (CU IN)	OAL	RESERVOIR SHELL PART NO	STUD SIZE (4) REQ'D	SIGHTGAGE (2) REQ'D	LOCKNUT (2) REQ'D
11259	40	3.00	10590	10-24 x 3.62	10363	3/4-16 NF
11260	60	4.50	10592	10-24 x 5.12	10363	3/4-16 NF
11261	80	5.75	10593	10-24 x 6.38	10364	10443
11262	100	7.25	10595	10-24 x 7.88	10364	10443
11263	120	8.75	10852	10-24 x 9.38	10364	10443
11264	160	11.50	10596	10-24 x 12.12	10364	10443



INCHES ON ORIGINAL DWG

15			
14			
13	1	10429	DIFFUSER
12	1	11570	SUCTION STRAINER
11	1	10288	BREATHER/FILLER CAP
10	4	10-24 NC	ACORN NUT
9	4	SO-008B7	O-RING
8	1	10304	COVER, RESERVOIR
7	1	SEE TABLE	RESERVOIR SHELL
6	2	SEE TABLE	SIGHT GAUGE
5	2	SEE TABLE	LOCKNUT, SIGHT GAUGE
4	2	10338	GASKET, RESERVOIR
3	A/R	#242	LOCTITE
2	4	SEE CHART	STUD
1	4	10-24 NC	ROUND JAM NUT

ITEM	QTY	PART NUMBER	DESCRIPTION
------	-----	-------------	-------------

	INTERFACE DEVICES, INC. 230 DEPOT ROAD MILFORD, CT 06460
--	---

SCALE: N/A TITLE: RESERVOIR ASSY, SELF CONTAINED, 40 THRU 120 CU IN

DWN BY: TWH REF: TASQ Series Pumps

DATE: 2/25/03

SHT: 1 OF: 1 DWG NO: P09-1901 REV: A