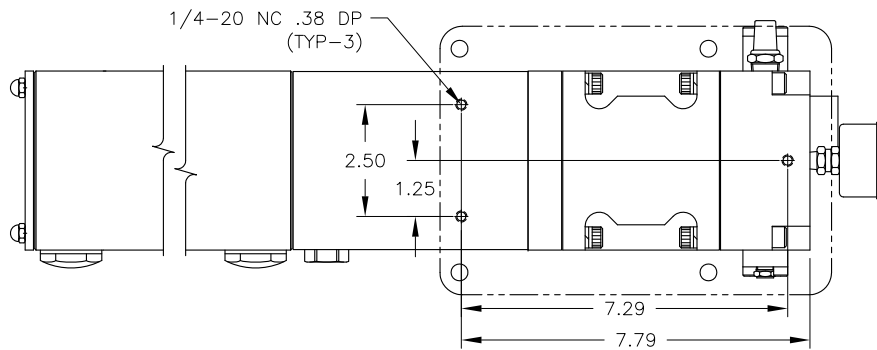
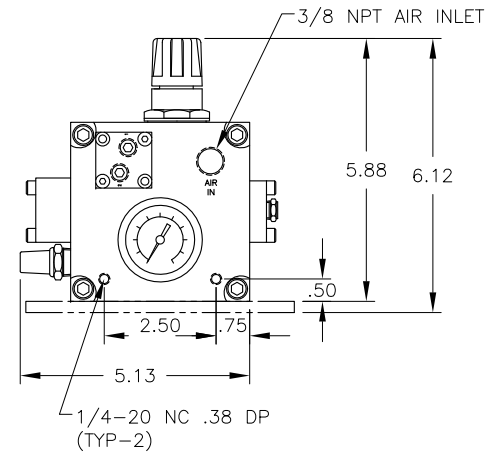
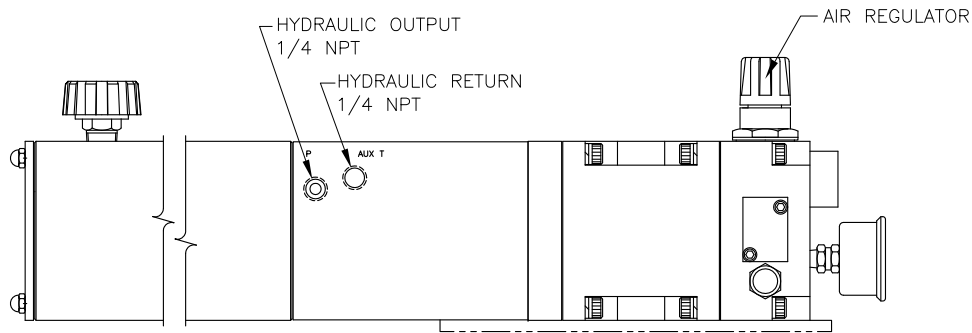


RESERVOIR VOLUME (CU IN)	"A"	LENGTH
20	1.50	13.31
40	3.00	14.81
60	4.50	16.31
80	5.75	17.58
100	7.25	19.06
120	8.75	20.58
160	11.50	23.31



0 1 2 3 4
INCHES ON ORIGINAL DWG

		INTERFACE DEVICES, INC. 230 DEPOT ROAD MILFORD, CT 06460	
SCALE: NONE	TITLE: GENERAL ARRANGEMENT, H-SERIES PUMP		
DWN BY: WNI			
DATE: 5/21/99	REF:		
SHT: 1 OF: 1	DWG NO: GA-HXXX/XX-00000	REV:	