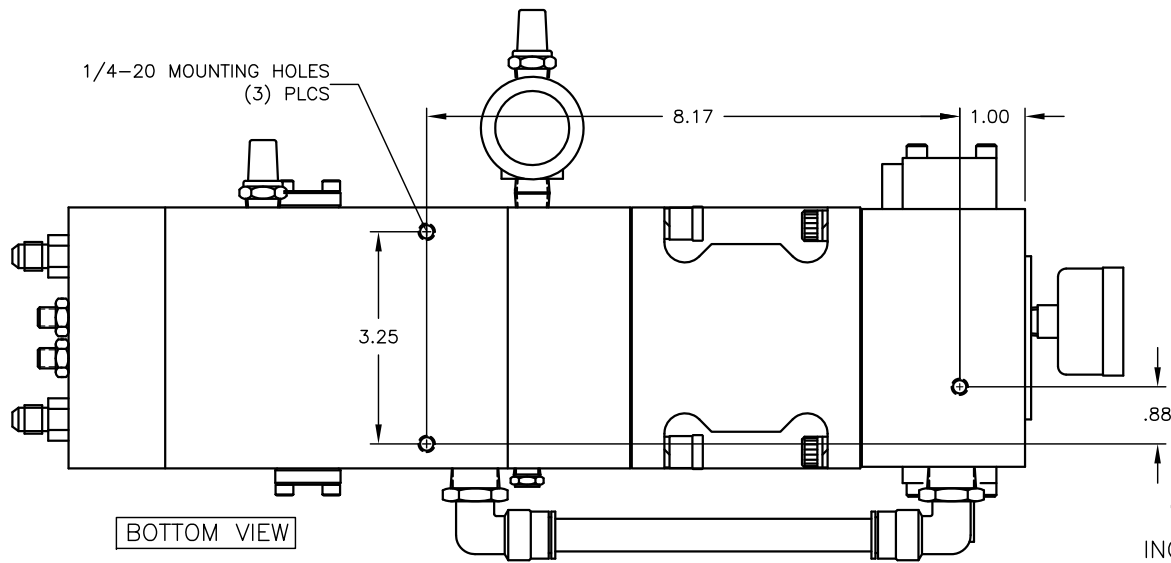
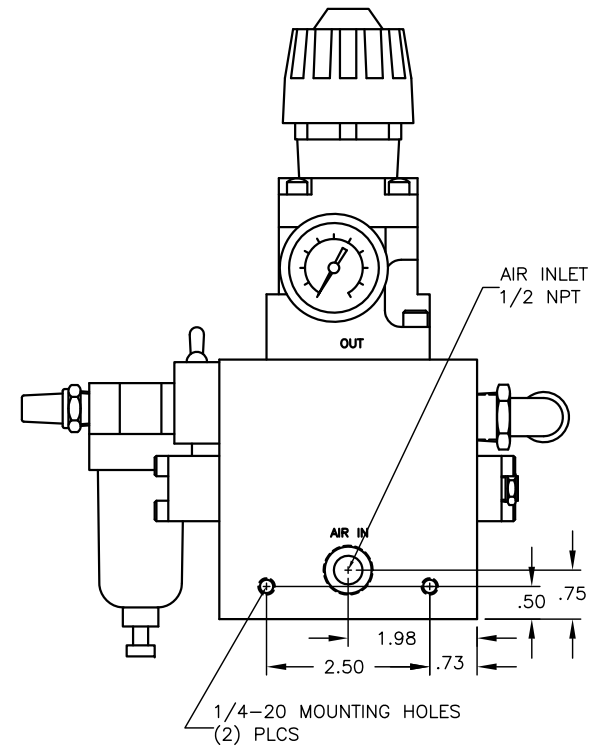
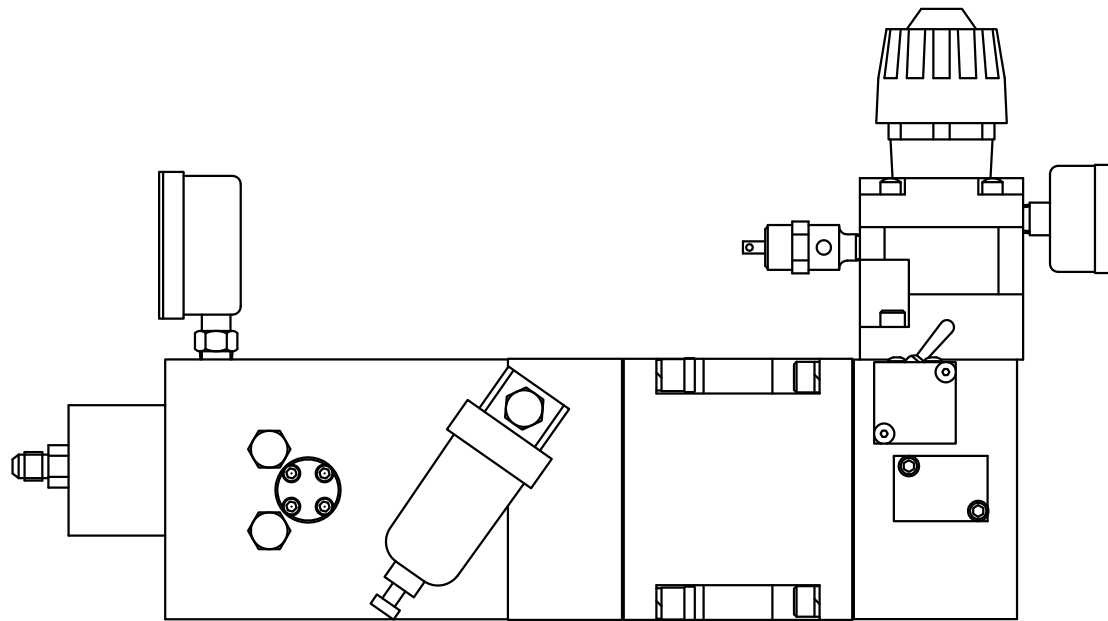


		INTERFACE DEVICES, INC. 230 DEPOT ROAD MILFORD, CT 06460	
SCALE: HALF	TITLE: GENERAL ARRANGEMENT, OXYGEN BOOSTER		
DWN BY: WNI	REF: 2013 Version		
DATE: 2/5/13	DWG NO: P33-0003		
SHT: 1 OF: 2			REV: -

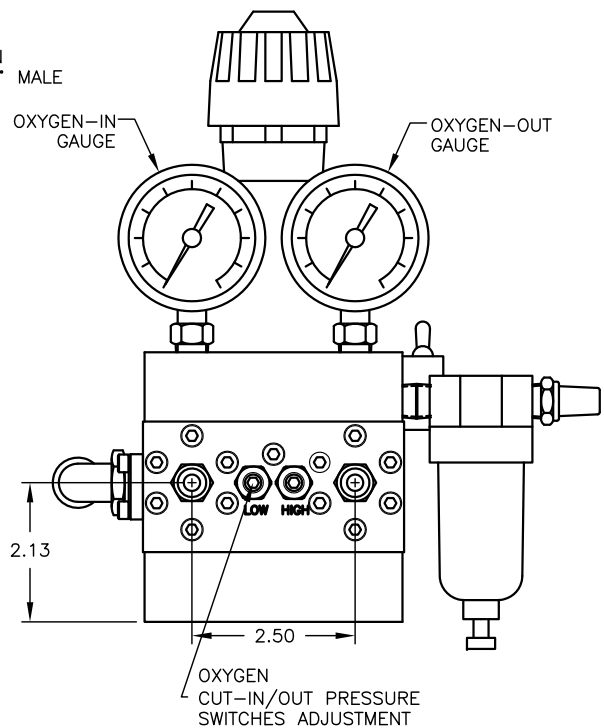
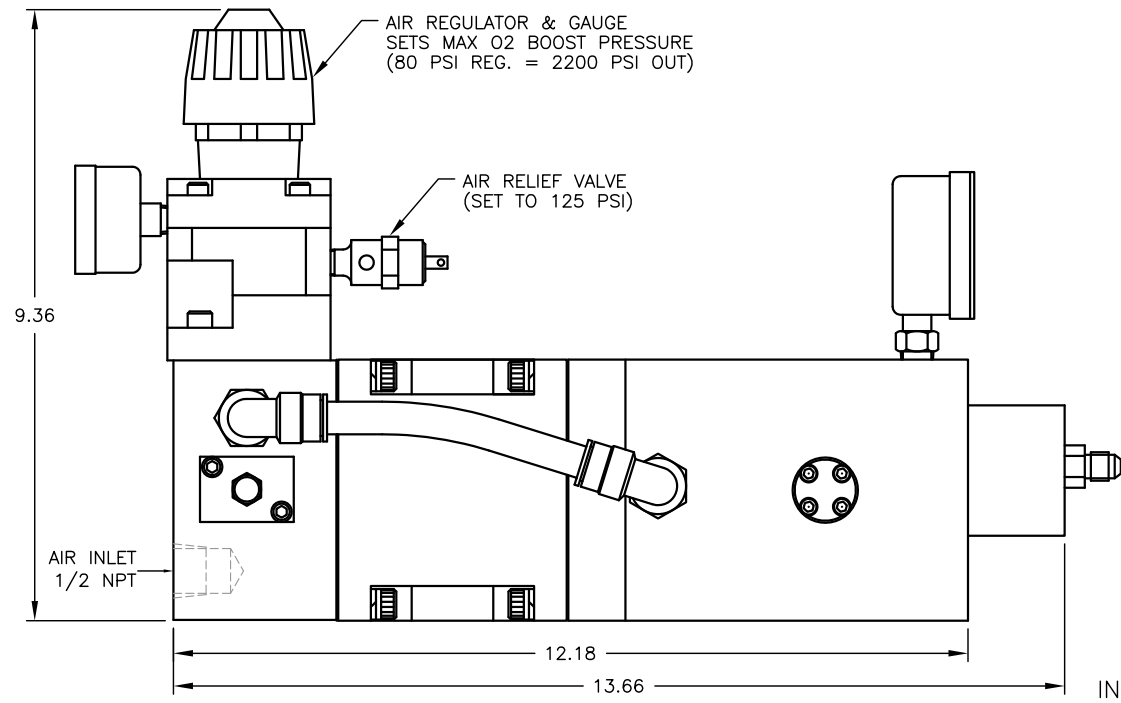
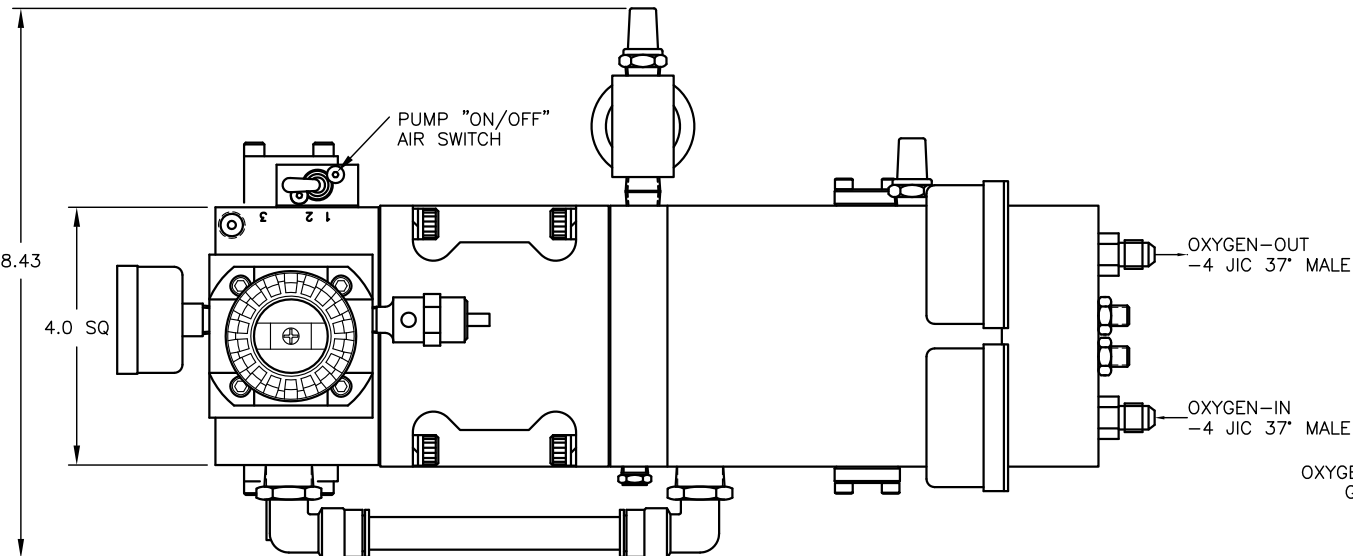
2013 VERSION




0 1 2 3 4  
INCHES ON ORIGINAL DWG

		INTERFACE DEVICES, INC. 230 DEPOT ROAD MILFORD, CT 06460	
SCALE: HALF	TITLE: GENERAL ARRANGEMENT, OXYGEN BOOSTER		
DWN BY: WNI	REF: 2013 Version		
DATE: 2/5/13	DWC NO: P33-0003		REV: -
SHT: 2 OF 2			

REV	DESCRIPTION	BY	DATE
A	PICTURE CHANGE; ADDED SHEET 2	WNI	8/8/12

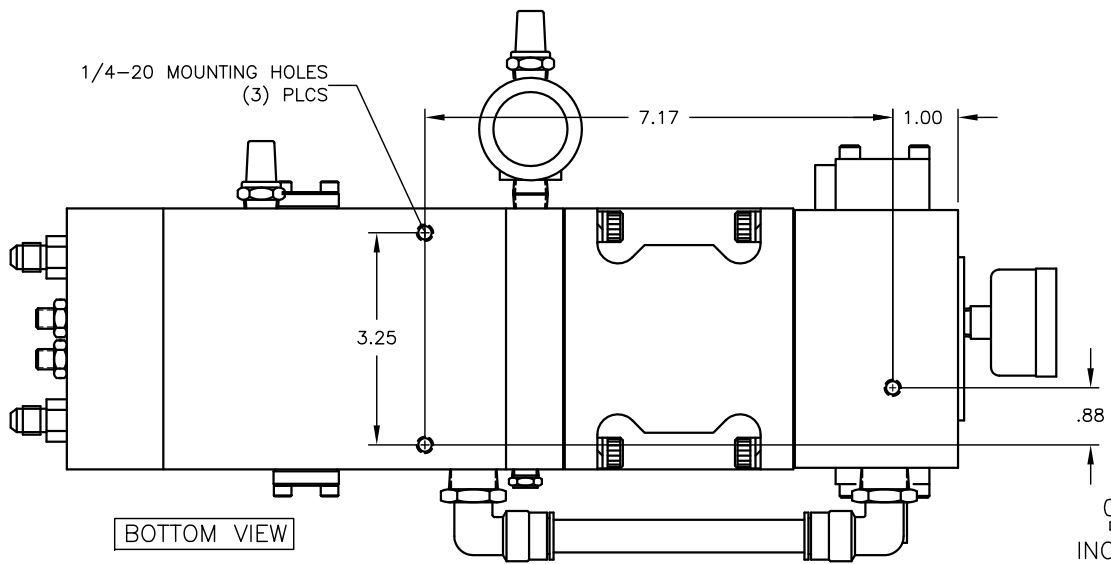
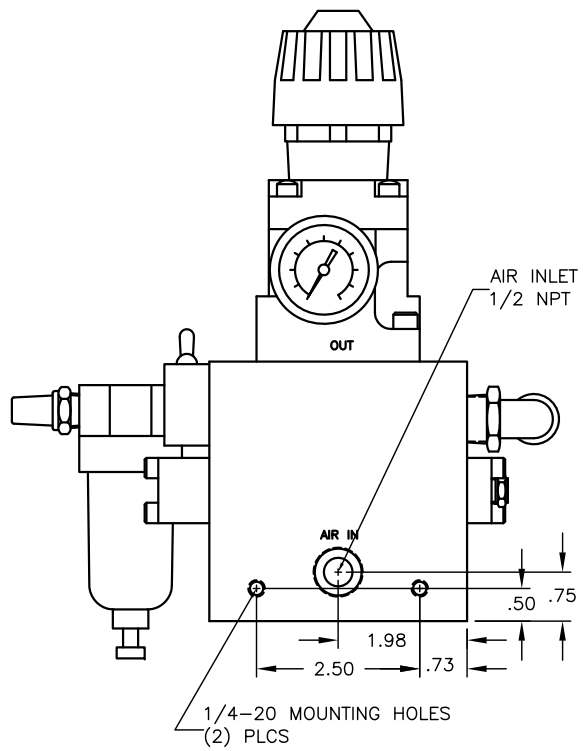
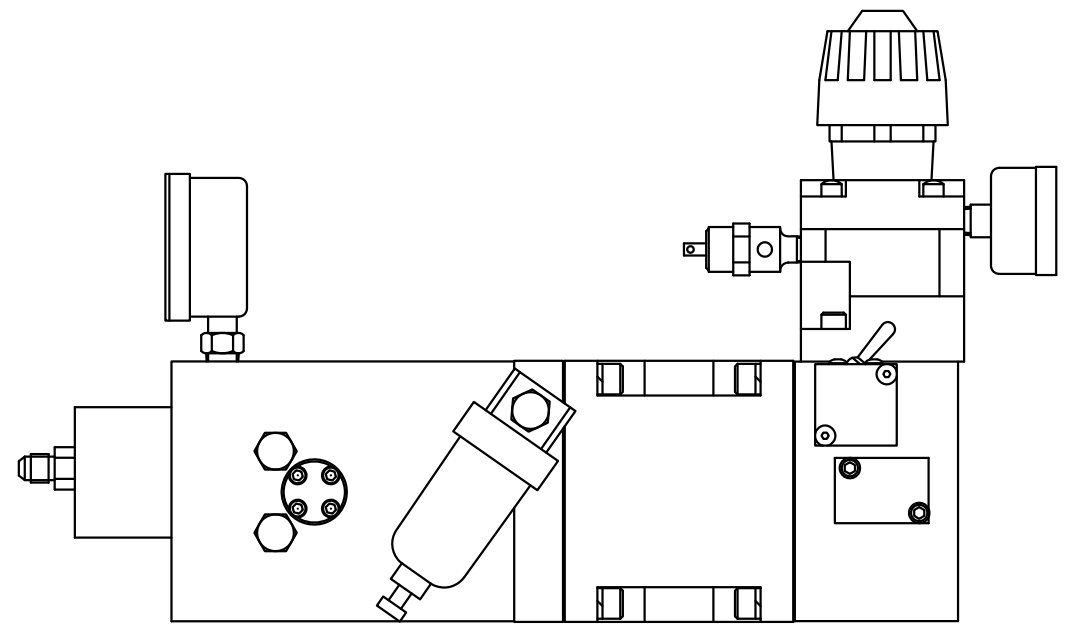


0 1 2 3 4  
INCHES ON ORIGINAL DWG

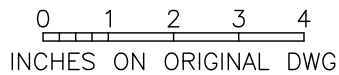
		INTERFACE DEVICES, INC. 230 DEPOT ROAD MILFORD, CT 06460
SCALE: HALF	TITLE: GENERAL ARRANGEMENT, OXYGEN BOOSTER	
DWN BY: WNI	REF: 2005 Version	
DATE: 8/30/05	DWG NO: P33-0002	
SHT: 1 OF: 2		REV: A

2005 VERSION

REV	DESCRIPTION	BY	DATE
A	PICTURE CHANGE; ADDED SHEET 2	WNI	8/8/12



BOTTOM VIEW



		INTERFACE DEVICES, INC. 230 DEPOT ROAD MILFORD, CT 06460	
SCALE: HALF	TITLE: GENERAL ARRANGEMENT, OXYGEN BOOSTER		
DWN BY: WNI	REF: 2005 Version		
DATE: 8/30/05	DWC NO: P33-0002		REV: A
SHT: 2 OF: 2			

2005 VERSION