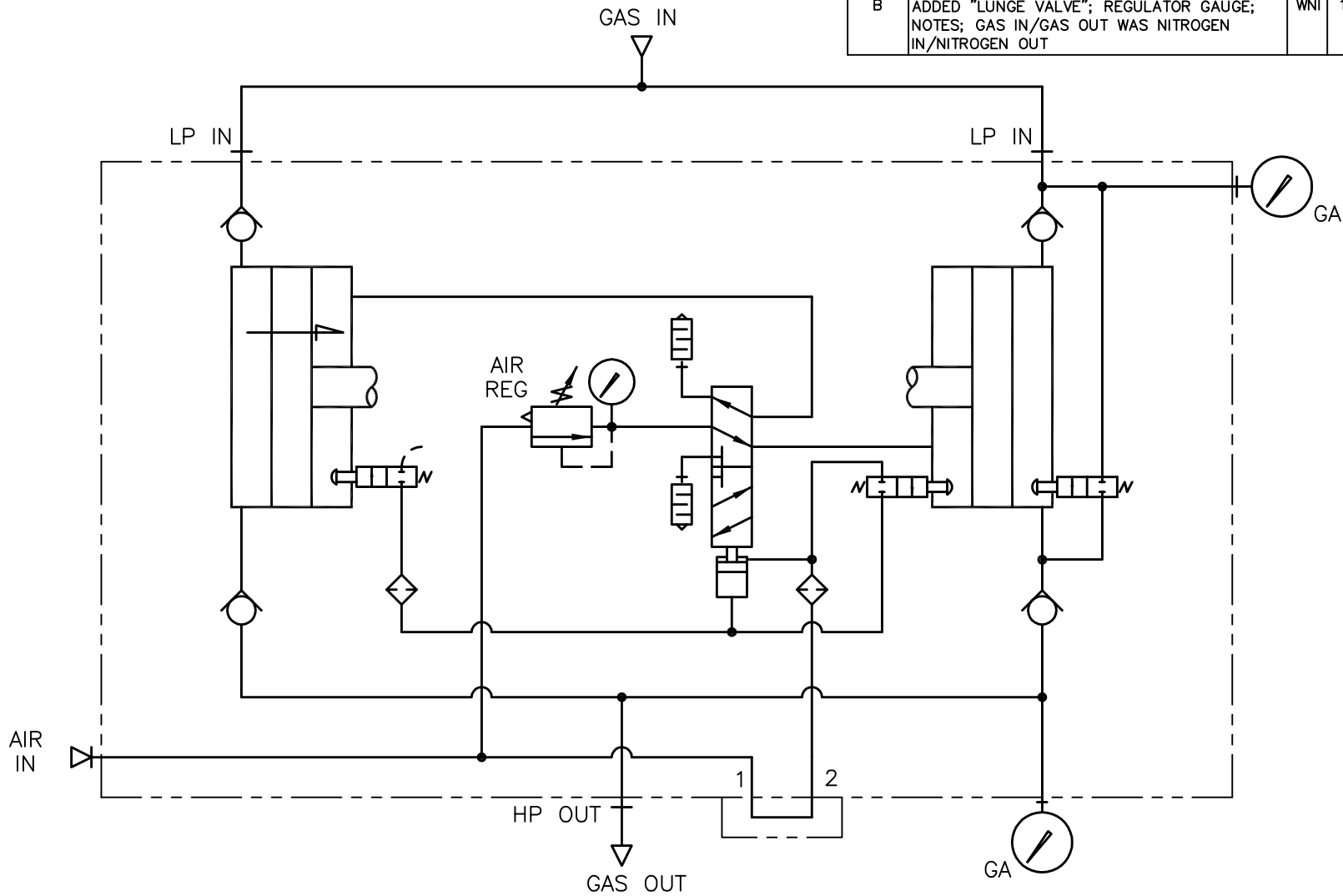
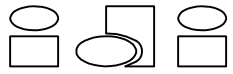


REV	DESCRIPTION	BY	DATE
A	MOVE GAUGE, LABEL LP & HP PORTS	TWH	11/6/03
B	ADDED "LUNGE VALVE"; REGULATOR GAUGE; NOTES; GAS IN/GAS OUT WAS NITROGEN IN/NITROGEN OUT	WNI	1/5/06



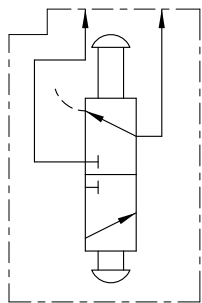
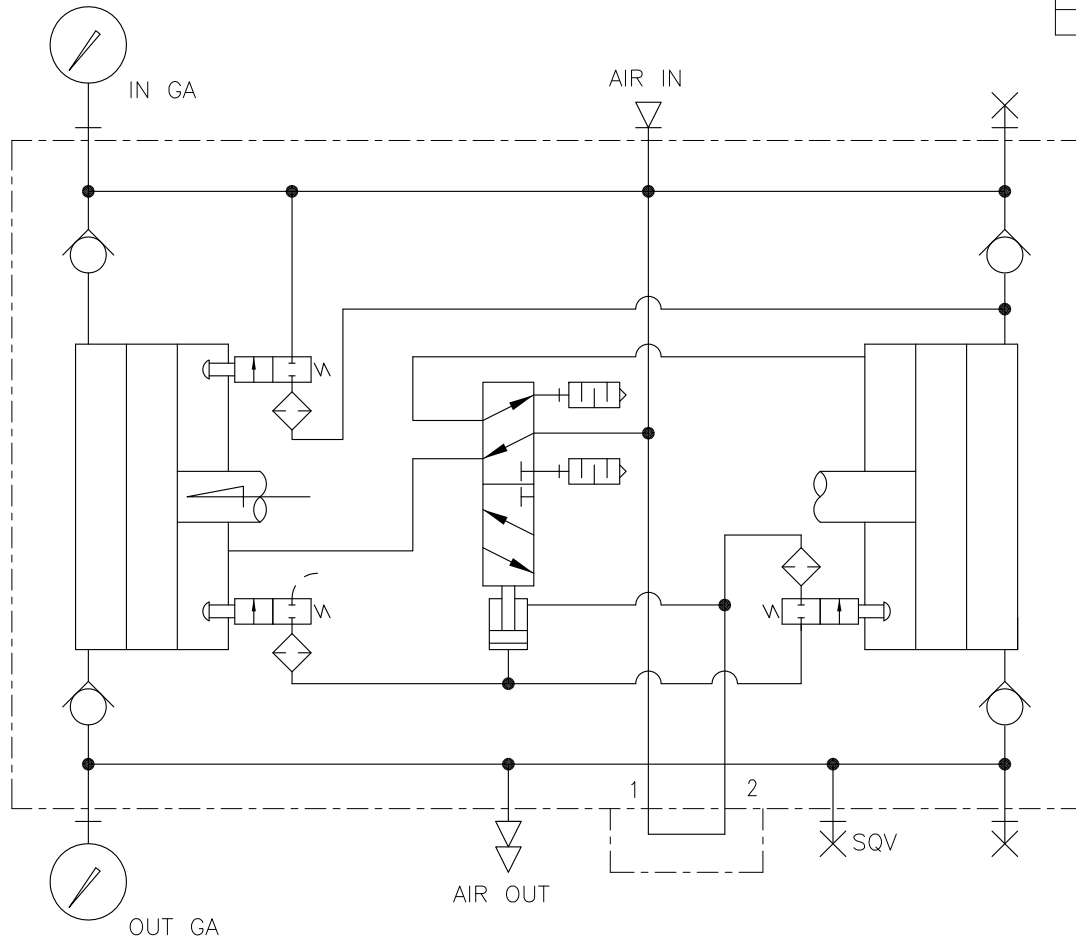
NOTE:  
1 GAUGES SHOWN ARE OPTIONAL COMPONENTS

		INTERFACE DEVICES, INC. 230 DEPOT ROAD MILFORD, CT 06460	
SCALE: N/A	TITLE: SCHEMATIC, 1:1 AIR DRIVEN GAS AMPLIFIER		
DWN BY: TWH	DATE: 10/24/03 REF:		
SHT:1 OF:1	DWG NO: P29-4001		REV: B

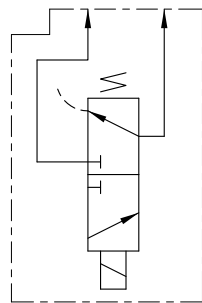
Z:\Programs\Acaddwgs\AIRAMP\1to1\P29-4001-B.DWG Plotted: Jan 05, 2006 1:54PM

Z:\Programs\Acaddwgs\AIRAMP\AA-160\P30-4002.DWG Plotted: May 23, 2014 10:41AM

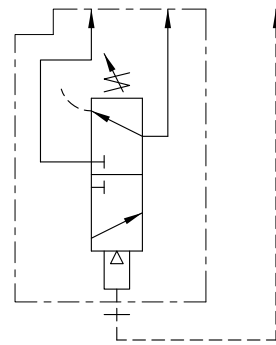
REV	DESCRIPTION	BY	DATE
-	-	-	-



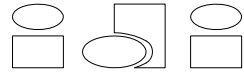
TOGGLE  
VALVE  
OPTION



SOLENOID  
VALVE  
OPTION



SEQUENCE  
VALVE  
OPTION

		INTERFACE DEVICES, INC. 230 DEPOT ROAD MILFORD, CT 06460	
SCALE: N/A	TITLE: PNEUMATIC SCHEMATIC, AA-160 2:1 AIR AMPLIFIER		
DWN BY: TWH	REF: UNBAL AIR SPOOL		
DATE: 6/17/04	DWG NO: P30-4002	REV: -	
SHT: 1 OF: 1			