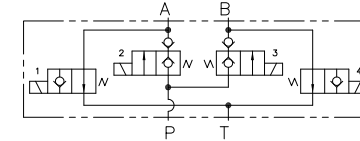
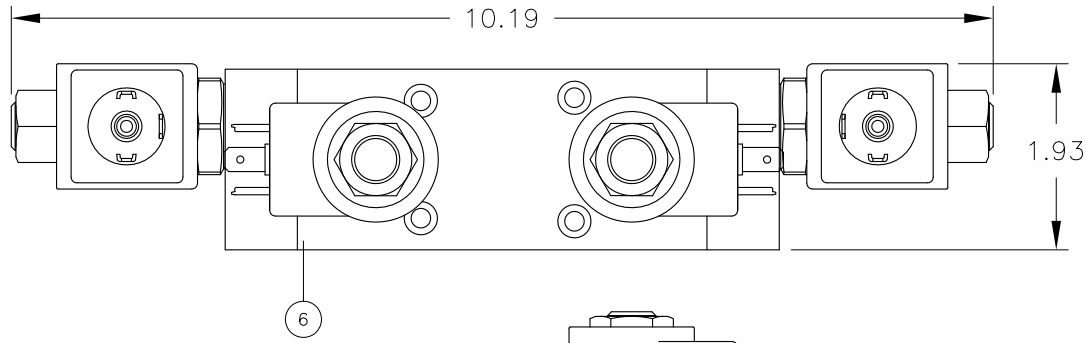
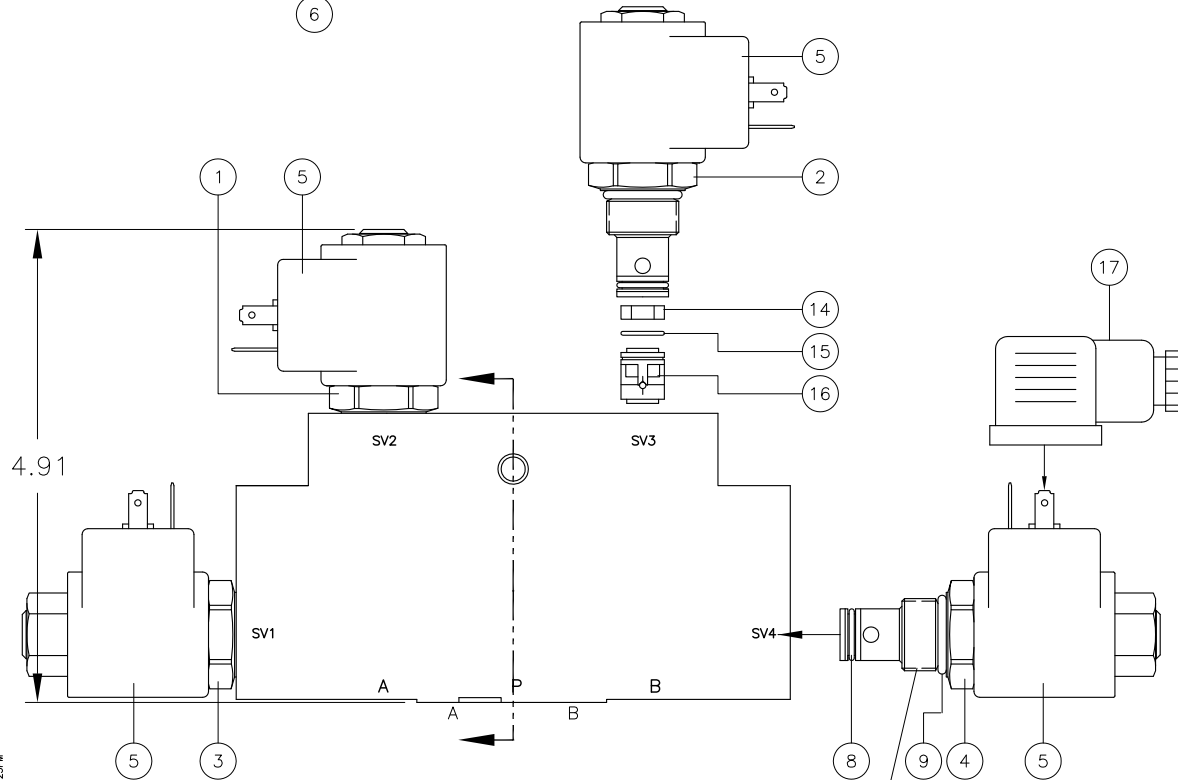
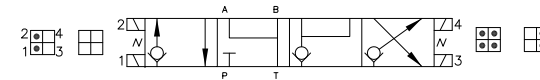


REV	DESCRIPTION	BY	DATE
A	ITEMS 3 & 4 WERE 11398; 11578 WAS VITON; 10.19 WAS 9.54; 5.22 WAS 4.90; SCHEMATIC CORRECTED TO SHOW N.O. VALVES	WNI	5/25/05
B	REVISED SCHEMATIC SYMBOL TO SHOW 4 POSSIBLE POSITIONS	WNI	9/30/08
C	REVISED SCHEMATIC SYMBOL TO ISO; ADDED SHT 2; RENUMBERED SOLS	WNI	9/30/08
D	15 WAS 6.2x1.0; 16 WAS 11609 (-02 CV)	WNI	9/15/11
E	PICT CHANGE SCHEMATIC SYMBOL	WNI	11/2/13

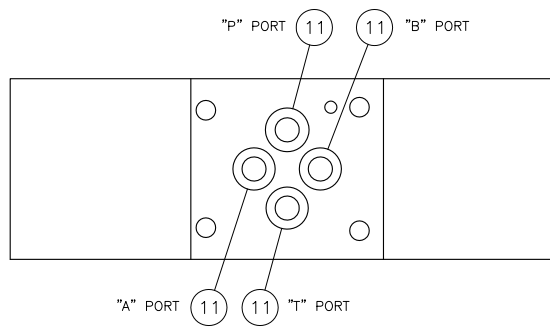


SPECIAL DO-3 VALVE
(2 NC 3-W VALVE FUNCTION WITH P CV'S)

OPERATION:
 A CLAMP: ENERGIZE COILS 1 & 2
 B CLAMP: ENERGIZE COILS 3 & 4
 A&B CLAMP: ENERGIZE COILS 1,2,3 & 4
 A&B UNCLAMP: DENERGIZE COILS 1,2,3 & 4



APPLY LOCTITE #242
TORQUE TO 25 FT LBS



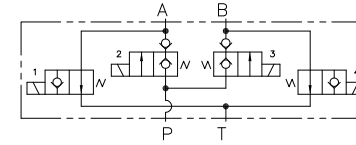
VOLTAGE	SOL P/N	SEAL_MATL	SEAL CODE
12 VDC	12066 M03-1018	EPR	E90
		VITON	M83248
		POLYURETHANE	9250
24 VDC	11403 M03-1018	EPR	E90
		VITON	M83248
		POLYURETHANE	9250
115 VAC	11404 M03-1018	EPR	E90
		VITON	M83248
		POLYURETHANE	9250
230 VAC	11405 M03-1018	EPR	E90
		VITON	M83248
		POLYURETHANE	9250

17	REF	10311 M02-1003	CONNECTOR, DIN 43650
16	2	10697	CHECK VALVE, -04
15	2	8.5x1.5 (MATL)	O-RING
14	2	11577 V03-5009	CHECK VALVE RETAINER
13	1	10958 V03-5003	INSERT
12			
11	4	50-011-(MATL)	O-RING
10			
9	4	50-908-(MATL)	O-RING
8	4	50-012-(MATL)	O-RING
7			
6	1	11578 V03-5008	BODY
5	4	(SEE CHART)	SOLENOID COIL
4	1	11402 M03-1018	2-W POPPET VALVE, NO
3	1	11402 M03-1018	2-W POPPET VALVE, NO
2	1	11398 M03-1018	2-W POPPET VALVE, NC
1	1	11398 M03-1018	2-W POPPET VALVE, NC
ITEM	QTY	PART NUMBER	DESCRIPTION
INTERFACE DEVICES, INC. 230 DEPOT ROAD MILFORD, CT 06460			
SCALE: FULL		TITLE: ASSEMBLY, 6K SOL POPPET 2 3-W VALVE	
DWN BY: WNI		REF: (2) NC 3-W in D03 Body	
DATE: 2/28/05		SHT: 1 OF 2	
DWG NO: V03-1005		REV: E	

Z:\Programs\Acad\dwg\Voice\V03-42R5V\V03-1005-EDWG Ploited: Dec 12, 2013 3:25PM

VOLTAGE	SOL P/N	SEAL MATL	SEAL CODE	VALVE MODEL CODE	VALVE P/N
12 VDC	12066	EPR	E9	D03-23W2P-P-E-0-12VDC-0-XX	
				D03-23W2P-P-E-0-12VDC-D-XX	
				D03-23W2P-P-E-K-12VDC-0-XX	
				D03-23W2P-P-E-K-12VDC-D-XX	
		VITON	V9	D03-23W2P-P-V-0-12VDC-0-XX	
				D03-23W2P-P-V-0-12VDC-D-XX	
				D03-23W2P-P-V-K-12VDC-0-XX	
				D03-23W2P-P-V-K-12VDC-D-XX	
		POLYURETHANE	P9	D03-23W2P-P-P-0-12VDC-0-XX	12156
				D03-23W2P-P-P-0-12VDC-D-XX	
				D03-23W2P-P-P-K-12VDC-0-XX	
				D03-23W2P-P-P-K-12VDC-D-XX	
24 VDC	11403	EPR	E9	D03-23W2P-P-E-0-24VDC-0-XX	
				D03-23W2P-P-E-0-24VDC-D-XX	
				D03-23W2P-P-E-K-24VDC-0-XX	
				D03-23W2P-P-E-K-24VDC-D-XX	
		VITON	V9	D03-23W2P-P-V-0-24VDC-0-XX	
				D03-23W2P-P-V-0-24VDC-D-XX	
				D03-23W2P-P-V-K-24VDC-0-XX	
				D03-23W2P-P-V-K-24VDC-D-XX	
		POLYURETHANE	P9	D03-23W2P-P-P-0-24VDC-0-XX	12187
				D03-23W2P-P-P-0-24VDC-D-XX	
				D03-23W2P-P-P-K-24VDC-0-XX	
				D03-23W2P-P-P-K-24VDC-D-XX	
115 VAC	11404	EPR	E9	D03-23W2P-P-E-0-115VAC-0-XX	
				D03-23W2P-P-E-0-115VAC-D-XX	
				D03-23W2P-P-E-K-115VAC-0-XX	
				D03-23W2P-P-E-K-115VAC-D-XX	
		VITON	V9	D03-23W2P-P-V-0-115VAC-0-XX	
				D03-23W2P-P-V-0-115VAC-D-XX	
				D03-23W2P-P-V-K-115VAC-0-XX	
				D03-23W2P-P-V-K-115VAC-D-XX	
		POLYURETHANE	P9	D03-23W2P-P-P-0-115VAC-0-XX	11578
				D03-23W2P-P-P-0-115VAC-D-XX	
				D03-23W2P-P-P-K-115VAC-0-XX	
				D03-23W2P-P-P-K-115VAC-D-XX	
230 VAC	11405	EPR	E9	D03-23W2P-P-E-0-230VAC-0-XX	
				D03-23W2P-P-E-0-230VAC-D-XX	
				D03-23W2P-P-E-K-230VAC-0-XX	
				D03-23W2P-P-E-K-230VAC-D-XX	
		VITON	V9	D03-23W2P-P-V-0-230VAC-0-XX	
				D03-23W2P-P-V-0-230VAC-D-XX	
				D03-23W2P-P-V-K-230VAC-0-XX	
				D03-23W2P-P-V-K-230VAC-D-XX	
		POLYURETHANE	P9	D03-23W2P-P-P-0-230VAC-0-XX	
				D03-23W2P-P-P-0-230VAC-D-XX	
				D03-23W2P-P-P-K-230VAC-0-XX	
				D03-23W2P-P-P-K-230VAC-D-XX	

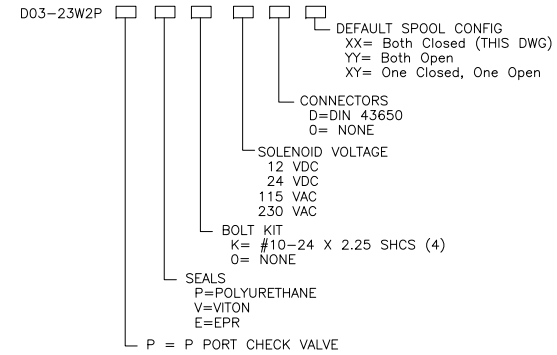
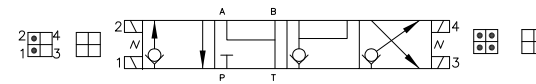
REV	DESCRIPTION	BY	DATE
A	ITEMS 3 & 4 WERE 11398; 11578 WAS VITON; 10.19 WAS 9.54; 5.22 WAS 4.90; SCHEMATIC CORRECTED TO SHOW N.O. VALVES	WNI	5/25/05
B	REVISED SCHEMATIC SYMBOL TO SHOW 4 POSSIBLE POSITIONS	WNI	9/30/08
C	REVISED SCHEMATIC SYMBOL TO ISO; ADDED SHT 2; RENUMBERED SOLS	WNI	9/30/08
D	15 WAS 6.2x1.0; 16 WAS 11609 (-02 CV)	WNI	9/15/11
E	PICT CHANGE SCHEMATIC SYMBOL	WNI	11/2/13



SPECIAL DO-3 VALVE
(2 NC 3-W VALVE FUNCTION WITH P CV'S)

OPERATION:

- A CLAMP: ENERGIZE COILS 1 & 2
- B CLAMP: ENERGIZE COILS 3 & 4
- A&B CLAMP: ENERGIZE COILS 1,2,3 & 4
- A&B UNCLAMP: ENERGIZE COILS 1,2,3 & 4



INTERFACE DEVICES, INC.	
230 DEPOT ROAD MILFORD, CT 06460	
SCALE: FULL	TITLE: ASSEMBLY, 6K SOL POPPET 2 3-W VALVE
DWN BY: WNI	REF: (2) NC 3-W in D03 Body
DATE: 2/28/05	DWG NO: V03-1005
SHT: 2 OF 2	REV: E