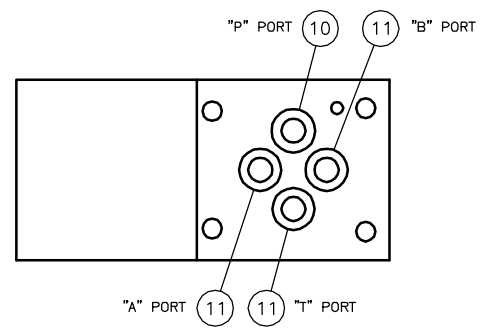


- D03-3W2P
- "SPOOL" CONFIGURATION
X = N.O.
Y = N.C.
- CONNECTORS
D = DIN 43650
0 = NONE
- SOLENOID VOLTAGE
12 VDC
24 VDC
115 VAC
230 VAC
- BOLT KIT
K = #10-24 X 2.25 SHCS (4)
0 = NONE
- SEALS
P = POLYURETHANE
V = VITON
E = EPR
- P = P PORT CHECK VALVE
0 = NONE



VOLTAGE	SOL	P/N	SEAL MATL	SEAL CODE
24 VDC	11403	M03-1018	EPR	E90
			VITON	M83248
			POLYURETHANE	9250
115 VAC	11404	M03-1018	EPR	E90
			VITON	M83248
			POLYURETHANE	9250
230 VAC	11405	M03-1018	EPR	E90
			VITON	M83248
			POLYURETHANE	9250

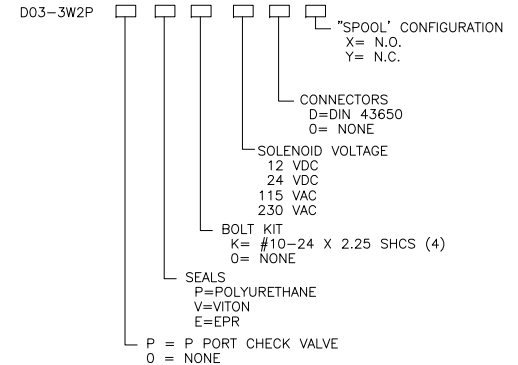
ITEM	QTY	PART NUMBER	DESCRIPTION
15	REF	10311 M02-1003	CONNECTOR, DIN 43650
14			
13			
12	REF	10697	CHECK VALVE, -04
11	3	SO-011-(MATL)	O-RING
10	1	8.5x1.5-(MATL)	O-RING
9	1	10958 V03-5003	INSERT
8	1	SO-013-B70	O-RING
7	1	12003	PIN, SPRING, #.125 x 0.38
6	2	SO-012-(MATL)	O-RING
5	2	SO-908-(MATL)	O-RING
4	2	(SEE CHART)	SOLENOID COIL
3	1	11402 M03-1018	2-W POPPET VALVE, NO
2	1	11398 M03-1018	2-W POPPET VALVE, NC
1	1	11501 V03-5007	BODY
ITEM	QTY	PART NUMBER	DESCRIPTION
			INTERFACE DEVICES, INC. 230 DEPOT ROAD MILFORD, CT 06460
SCALE:	FULL	TITLE:	ASSEMBLY, 5K SOL POPPET 3W2P VALVE
DWG BY:	WNI	DATE:	3/21/11
SHF:	1	OF:	2
DWG NO:	V03-1009	REV:	-

NORMALLY OPEN

VOLTAGE	SOL P/N	SEAL MATL	SEAL CODE	VALVE MODEL CODE	VALVE P/N	
12 VDC	12066	EPR	E9	D03-3W2P-0-E-0-12VDC-0-X		
				D03-3W2P-0-E-0-12VDC-D-X		
				D03-3W2P-0-E-K-12VDC-0-X		
				D03-3W2P-0-E-K-12VDC-D-X		
		VITON	V9	D03-3W2P-P-E-0-12VDC-0-X		
				D03-3W2P-P-E-0-12VDC-D-X		
				D03-3W2P-P-E-K-12VDC-0-X		
				D03-3W2P-P-E-K-12VDC-D-X		
		POLYUETHANE	P9	D03-3W2P-0-P-0-12VDC-0-X		
				D03-3W2P-0-P-0-12VDC-D-X		
				D03-3W2P-0-P-K-12VDC-0-X		
				D03-3W2P-0-P-K-12VDC-D-X		
24 VDC	11403	EPR	E9	D03-3W2P-0-E-0-24VDC-0-X		
				D03-3W2P-0-E-0-24VDC-D-X		
				D03-3W2P-0-E-K-24VDC-0-X		
				D03-3W2P-0-E-K-24VDC-D-X		
		VITON	V9	D03-3W2P-P-E-0-24VDC-0-X		
				D03-3W2P-P-E-0-24VDC-D-X		
				D03-3W2P-P-E-K-24VDC-0-X		
				D03-3W2P-P-E-K-24VDC-D-X		
		POLYURETHANE	P9	D03-3W2P-0-P-0-24VDC-0-X		12512
				D03-3W2P-0-P-0-24VDC-D-X		
				D03-3W2P-0-P-K-24VDC-0-X		
				D03-3W2P-0-P-K-24VDC-D-X		
115 VAC	11404	EPR	E9	D03-3W2P-0-E-0-115VAC-0-X		
				D03-3W2P-0-E-0-115VAC-D-X		
				D03-3W2P-0-E-K-115VAC-0-X		
				D03-3W2P-0-E-K-115VAC-D-X		
		VITON	V9	D03-3W2P-P-E-0-115VAC-0-X		
				D03-3W2P-P-E-0-115VAC-D-X		
				D03-3W2P-P-E-K-115VAC-0-X		
				D03-3W2P-P-E-K-115VAC-D-X		
		POLYURETHANE	P9	D03-3W2P-0-P-0-115VAC-0-X		12772
				D03-3W2P-0-P-0-115VAC-D-X		
				D03-3W2P-0-P-K-115VAC-0-X		
				D03-3W2P-0-P-K-115VAC-D-X		
230 VAC	11405	EPR	E9	D03-3W2P-0-E-0-230VAC-0-X		
				D03-3W2P-0-E-0-230VAC-D-X		
				D03-3W2P-0-E-K-230VAC-0-X		
				D03-3W2P-0-E-K-230VAC-D-X		
		VITON	V9	D03-3W2P-P-E-0-230VAC-0-X		
				D03-3W2P-P-E-0-230VAC-D-X		
				D03-3W2P-P-E-K-230VAC-0-X		
				D03-3W2P-P-E-K-230VAC-D-X		
		POLYURETHANE	P9	D03-3W2P-0-P-0-230VAC-0-X		
				D03-3W2P-0-P-0-230VAC-D-X		
				D03-3W2P-0-P-K-230VAC-0-X		
				D03-3W2P-0-P-K-230VAC-D-X		

NORMALLY CLOSED

VOLTAGE	SOL P/N	SEAL MATL	SEAL CODE	VALVE MODEL CODE	VALVE P/N	
12 VDC	12066	EPR	E9	D03-3W2P-0-E-0-12VDC-0-Y		
				D03-3W2P-0-E-0-12VDC-D-Y		
				D03-3W2P-0-E-K-12VDC-0-Y		
				D03-3W2P-0-E-K-12VDC-D-Y		
		VITON	V9	D03-3W2P-P-E-0-12VDC-0-Y		
				D03-3W2P-P-E-0-12VDC-D-Y		
				D03-3W2P-P-E-K-12VDC-0-Y		
				D03-3W2P-P-E-K-12VDC-D-Y		
		POLYUETHANE	P9	D03-3W2P-0-P-0-12VDC-0-Y		
				D03-3W2P-0-P-0-12VDC-D-Y		
				D03-3W2P-0-P-K-12VDC-0-Y		
				D03-3W2P-0-P-K-12VDC-D-Y		
24 VDC	11403	EPR	E9	D03-3W2P-0-E-0-24VDC-0-Y		
				D03-3W2P-0-E-0-24VDC-D-Y		
				D03-3W2P-0-E-K-24VDC-0-Y		
				D03-3W2P-0-E-K-24VDC-D-Y		
		VITON	V9	D03-3W2P-P-E-0-24VDC-0-Y		
				D03-3W2P-P-E-0-24VDC-D-Y		
				D03-3W2P-P-E-K-24VDC-0-Y		
				D03-3W2P-P-E-K-24VDC-D-Y		
		POLYURETHANE	P9	D03-3W2P-0-P-0-24VDC-0-Y		12598
				D03-3W2P-0-P-0-24VDC-D-Y		
				D03-3W2P-0-P-K-24VDC-0-Y		
				D03-3W2P-0-P-K-24VDC-D-Y		
115 VAC	11404	EPR	E9	D03-3W2P-0-E-0-115VAC-0-Y		
				D03-3W2P-0-E-0-115VAC-D-Y		
				D03-3W2P-0-E-K-115VAC-0-Y		
				D03-3W2P-0-E-K-115VAC-D-Y		
		VITON	V9	D03-3W2P-P-E-0-115VAC-0-Y		
				D03-3W2P-P-E-0-115VAC-D-Y		
				D03-3W2P-P-E-K-115VAC-0-Y		
				D03-3W2P-P-E-K-115VAC-D-Y		
		POLYURETHANE	P9	D03-3W2P-0-P-0-115VAC-0-Y		12787
				D03-3W2P-0-P-0-115VAC-D-Y		
				D03-3W2P-0-P-K-115VAC-0-Y		
				D03-3W2P-0-P-K-115VAC-D-Y		
230 VAC	11405	EPR	E9	D03-3W2P-0-E-0-230VAC-0-Y		
				D03-3W2P-0-E-0-230VAC-D-Y		
				D03-3W2P-0-E-K-230VAC-0-Y		
				D03-3W2P-0-E-K-230VAC-D-Y		
		VITON	V9	D03-3W2P-P-E-0-230VAC-0-Y		
				D03-3W2P-P-E-0-230VAC-D-Y		
				D03-3W2P-P-E-K-230VAC-0-Y		
				D03-3W2P-P-E-K-230VAC-D-Y		
		POLYURETHANE	P9	D03-3W2P-0-P-0-230VAC-0-Y		
				D03-3W2P-0-P-0-230VAC-D-Y		
				D03-3W2P-0-P-K-230VAC-0-Y		
				D03-3W2P-0-P-K-230VAC-D-Y		



		INTERFACE DEVICES, INC. 230 DEPOT ROAD MILFORD, CT 06460	
SCALE: FULL	TITLE: ASSEMBLY,	5K SOL POPPET 3W2P VALVE	
OWN BY: WNI	DATE: 3/21/11	REF: D03-3W2P	
SHT: 2 OF: 2	DWG NO: V03-1009		REV: -