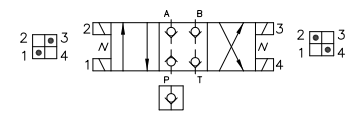
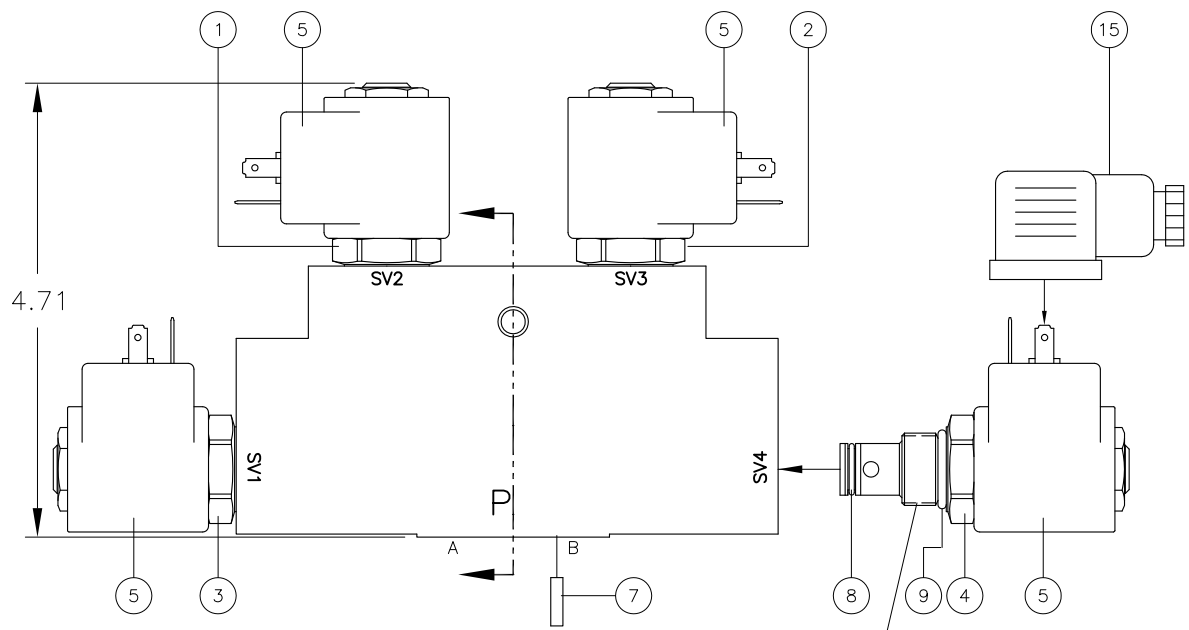
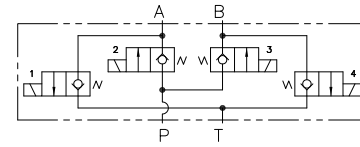
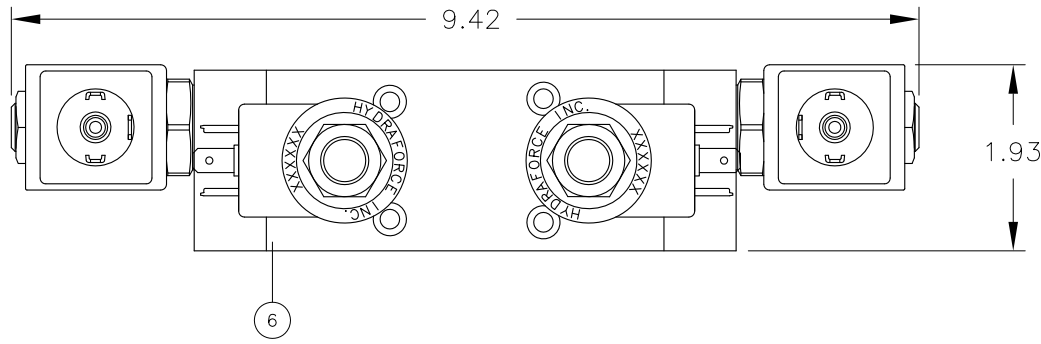
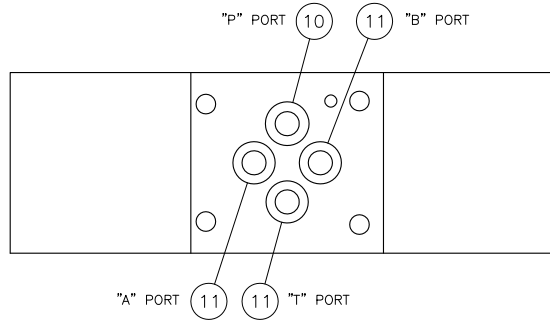
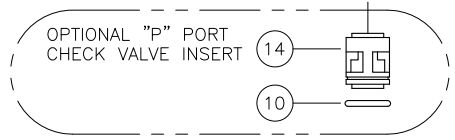
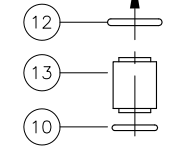
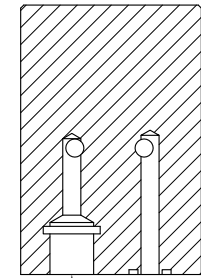


REV	DESCRIPTION	BY	DATE
A	PICTURE CHANGE (C'BORES)	WNI	11/22/04
B	ADDED SHT 2	WNI	1/25/11
C	RELABELED SOL NMG; ADDED NEW ISO SYMBOL	WNI	5/17/11
D	PICTURE CHANGE NEW SYMBOL	WNI	12/12/13



APPLY LOCTITE #242
TORQUE TO 25 FT LBS



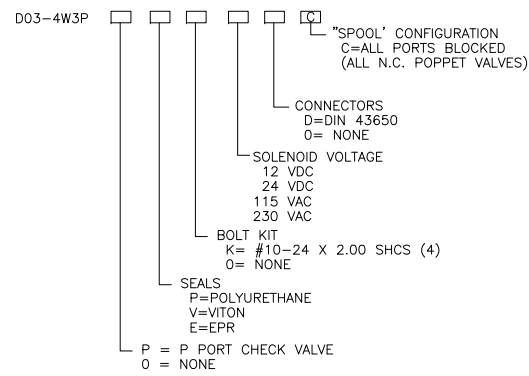
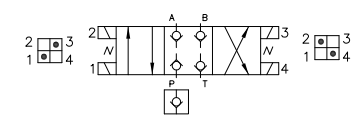
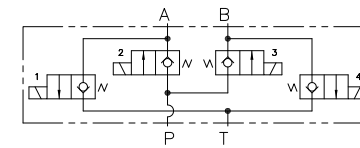
VOLTAGE	SOL P/N	SEAL MATL	SEAL CODE
24 VDC	11403 M03-1018	EPR	E90
		VITON	M83248
		POLYURETHANE	9250
115 VAC	11404 M03-1018	EPR	E90
		VITON	M83248
		POLYURETHANE	9250
230 VAC	11405 M03-1018	EPR	E90
		VITON	M83248
		POLYURETHANE	9250

15	REF 10311	M02-1003	CONNECTOR, DIN 43650
14	REF 10697		CHECK VALVE, -04
13	1	10958 V03-5003	INSERT
12	1	SO-013-B70	O-RING
11	3	SO-011-(MATL)	O-RING
10	1	8.5x1.5(MATL)	O-RING
9	4	SO-908-(MATL)	O-RING
8	4	SO-012-(MATL)	O-RING
7	1	12003	PIN, SPRING, ϕ .125 x 0.38
6	1	11470 V03-5006	BODY
5	4	(SEE CHART)	SOLENOID COIL
4	1	11398 M03-1018	2-W POPPET VALVE, NC
3	1	11398 M03-1018	2-W POPPET VALVE, NC
2	1	11398 M03-1018	2-W POPPET VALVE, NC
1	1	11398 M03-1018	2-W POPPET VALVE, NC

ITEM	QTY	PART NUMBER	DESCRIPTION
INTERFACE DEVICES, INC. 230 DEPOT ROAD MILFORD, CT 06460			
SCALE: FULL		TITLE: ASSEMBLY, 5K SOL POPPET 4-W VALVE	
DWN BY: WNI		DATE: 11/2/04 REF: DO3-4W3P-X-X-X-X-X-C	
SHT: 1 OF 2		DWG NO: V03-1004 REV: D	

REV	DESCRIPTION	BY	DATE
B	ADDED SHT 2	WNI	1/25/11
C	RELABELD SOL NOs; ADDED NEW ISO SYMBOL	WNI	3/17/11
D	PICTURE CHANGE NEW SYMBOL	WNI	12/12/13

VOLTAGE	SOL P/N	SEAL MATL	SEAL CODE	VALVE MODEL CODE	VALVE P/N
12 VDC	12066	EPR	E9	D03-4W3P-0-E-0-12VDC-0-C	
				D03-4W3P-0-E-0-12VDC-D-C	
				D03-4W3P-0-E-K-12VDC-0-C	
				D03-4W3P-0-E-K-12VDC-D-C	
		VITON	V9	D03-4W3P-0-V-0-12VDC-0-C	
				D03-4W3P-0-V-0-12VDC-D-C	
				D03-4W3P-0-V-K-12VDC-0-C	
				D03-4W3P-0-V-K-12VDC-D-C	
		POLYURETHANE	P9	D03-4W3P-0-P-0-12VDC-0-C	
				D03-4W3P-0-P-0-12VDC-D-C	
				D03-4W3P-0-P-K-12VDC-0-C	
				D03-4W3P-0-P-K-12VDC-D-C	
24 VDC	11403	EPR	E9	D03-4W3P-0-E-0-24VDC-0-C	11519
				D03-4W3P-0-E-0-24VDC-D-C	
				D03-4W3P-0-E-K-24VDC-0-C	
				D03-4W3P-0-E-K-24VDC-D-C	
		VITON	V9	D03-4W3P-0-V-0-24VDC-0-C	
				D03-4W3P-0-V-0-24VDC-D-C	
				D03-4W3P-0-V-K-24VDC-0-C	
				D03-4W3P-0-V-K-24VDC-D-C	
		POLYURETHANE	P9	D03-4W3P-0-P-0-24VDC-0-C	
				D03-4W3P-0-P-0-24VDC-D-C	
				D03-4W3P-0-P-K-24VDC-0-C	
				D03-4W3P-0-P-K-24VDC-D-C	
115 VAC	11404	EPR	E9	D03-4W3P-0-E-0-115VAC-0-C	11522
				D03-4W3P-0-E-0-115VAC-D-C	
				D03-4W3P-0-E-K-115VAC-0-C	
				D03-4W3P-0-E-K-115VAC-D-C	
		VITON	V9	D03-4W3P-0-V-0-115VAC-0-C	
				D03-4W3P-0-V-0-115VAC-D-C	
				D03-4W3P-0-V-K-115VAC-0-C	
				D03-4W3P-0-V-K-115VAC-D-C	
		POLYURETHANE	P9	D03-4W3P-0-P-0-115VAC-0-C	
				D03-4W3P-0-P-0-115VAC-D-C	
				D03-4W3P-0-P-K-115VAC-0-C	
				D03-4W3P-0-P-K-115VAC-D-C	
230 VAC	11405	EPR	E9	D03-4W3P-0-E-0-230VAC-0-C	11525
				D03-4W3P-0-E-0-230VAC-D-C	
				D03-4W3P-0-E-K-230VAC-0-C	
				D03-4W3P-0-E-K-230VAC-D-C	
		VITON	V9	D03-4W3P-0-V-0-230VAC-0-C	
				D03-4W3P-0-V-0-230VAC-D-C	
				D03-4W3P-0-V-K-230VAC-0-C	
				D03-4W3P-0-V-K-230VAC-D-C	
		POLYURETHANE	P9	D03-4W3P-0-P-0-230VAC-0-C	
				D03-4W3P-0-P-0-230VAC-D-C	
				D03-4W3P-0-P-K-230VAC-0-C	
				D03-4W3P-0-P-K-230VAC-D-C	



Z:\Program\Acad\dwg\Notes\003-4W3P\03-1004-DWG Plotfile Dec 12, 2013 3:01PM

 INTERFACE DEVICES, INC. 230 DEPOT ROAD MILFORD, CT 06460	
SCALE: FULL	TITLE: ASSEMBLY, 5K SOL POPPET 4-W VALVE
DWN BY: WNI	
DATE: 11/2/04	REF: D03-4W3P-X-X-X-X-C
SHT: 2 OF: 2	DWG NO: V03-1004
	REV: D